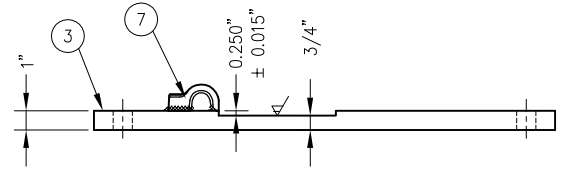
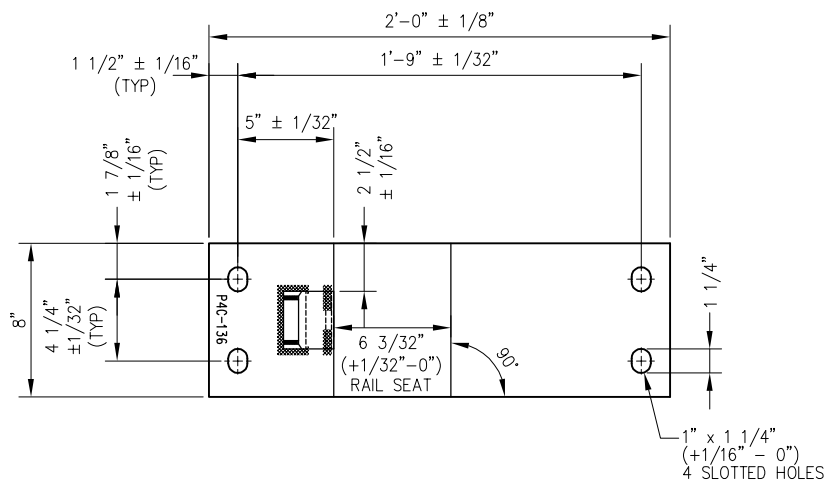
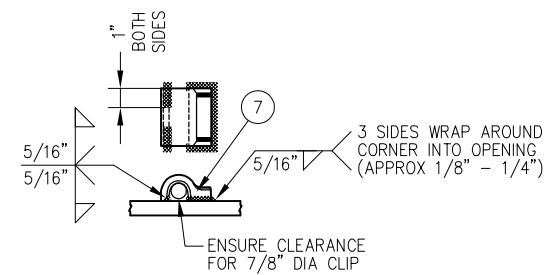


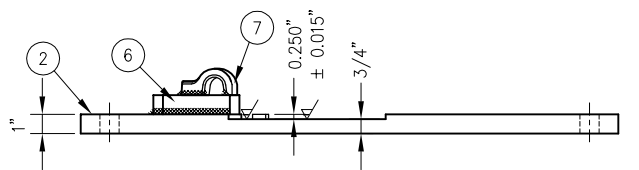
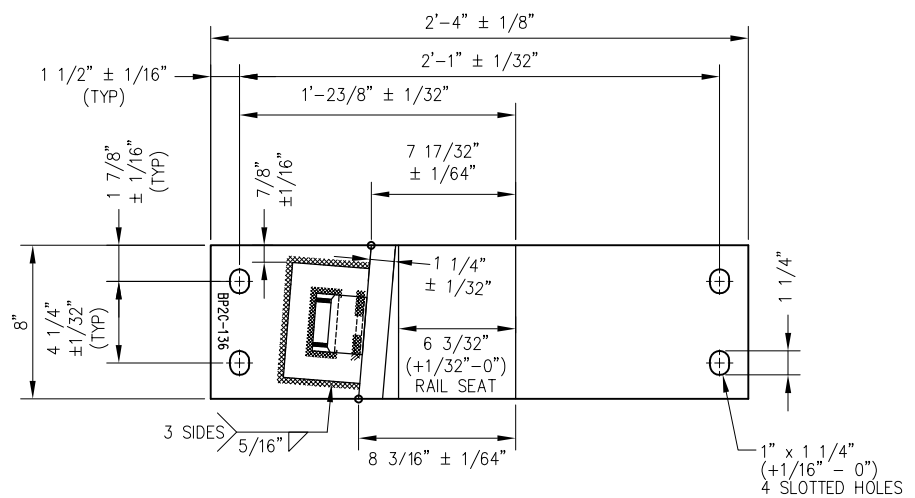
SWITCH PLATE BRACE BP1C-136



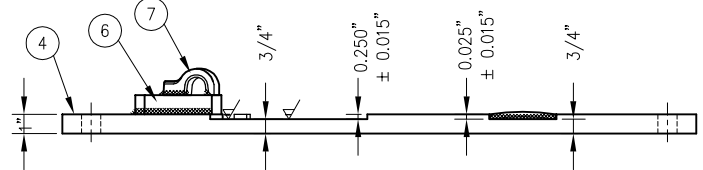
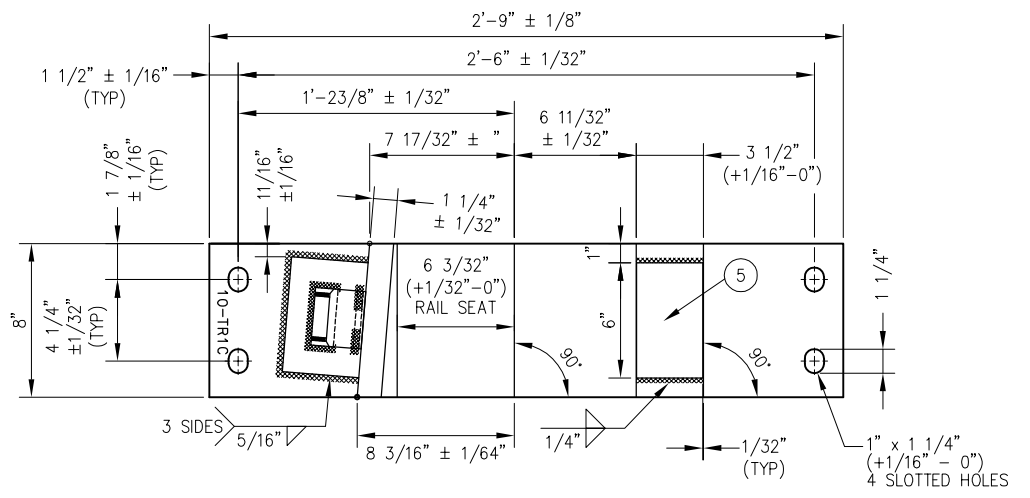
SWITCH PLATE P4C-136 1/64



FORGED SHOULDER WELDING DETAIL



SWITCH PLATE BRACE BP2C-136 1/64



SWITCH ROLLER PLATE 10-TRIC 1/64

BILL OF MATERIALS	
ITEM	DESCRIPTION
1	FLAT BAR, ASTM A36, 1" x 8" x 1'-10"
2	FLAT BAR, ASTM A36, 1" x 8" x 2'-4"
3	FLAT BAR, ASTM A36, 1" x 8" x 2'-0"
4	FLAT BAR, ASTM A36, 1" x 8" x 2'-9"
5	RISER FOR ROLLER PLATE, 1/4" THICK x 3 7/16" x 6"
6	STOP ASSEMBLY FOR BOLTLESS BRACE, 1" THICK, CONTINUOUSLY WELDED SHOULDER
7	SHOULDER, PANDROL, FORGED TONGUELESS, TYPE 5

NOTES:

- I.D. CHARACTERS SHALL BE 1/2" MINIMUM HEIGHT CLEARLY STAMPED AS SHOWN
- WELDS SHALL BE DRESSED FLUSH WITH SHOULDER & NOT TO PROTRUDE INTO RAIL SEAT
- SLOTTED HOLE CENTERS ARE INDICATED ON DRAWING

REV	DATE	BY	CHK	APP	DESCRIPTION

PENINSULA CORRIDOR JOINT POWERS BOARD

APPROVED BY:




ENGINEERING MANAGER DEPUTY DIRECTOR OF ENGINEERING



1250 San Carlos Avenue
 San Carlos, CA 94070

STANDARD DRAWINGS

**SPECIAL TRACKWORK
 COMMON ELEMENTS**
 SWITCH PLATE BRACES BP1C AND BP2C
 PLATE P4C-136 AND ROLLER PLATE 10-TRLC

CADD FILE NO.:	SD-2302
REV	DATE
0	093011
SPECIAL TRACKWORK	
STANDARD NO.:	SD-2302