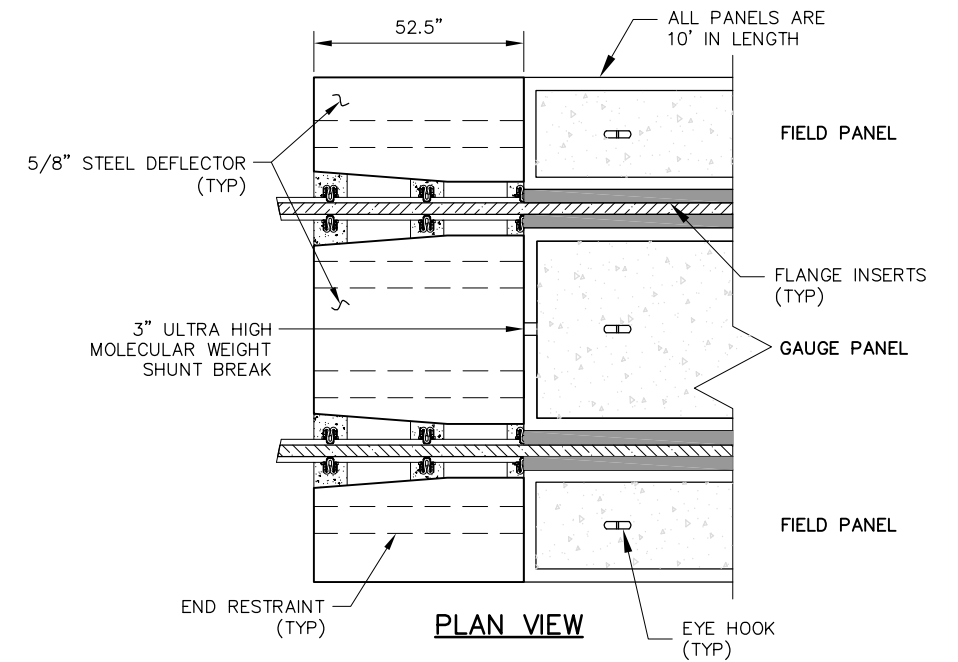


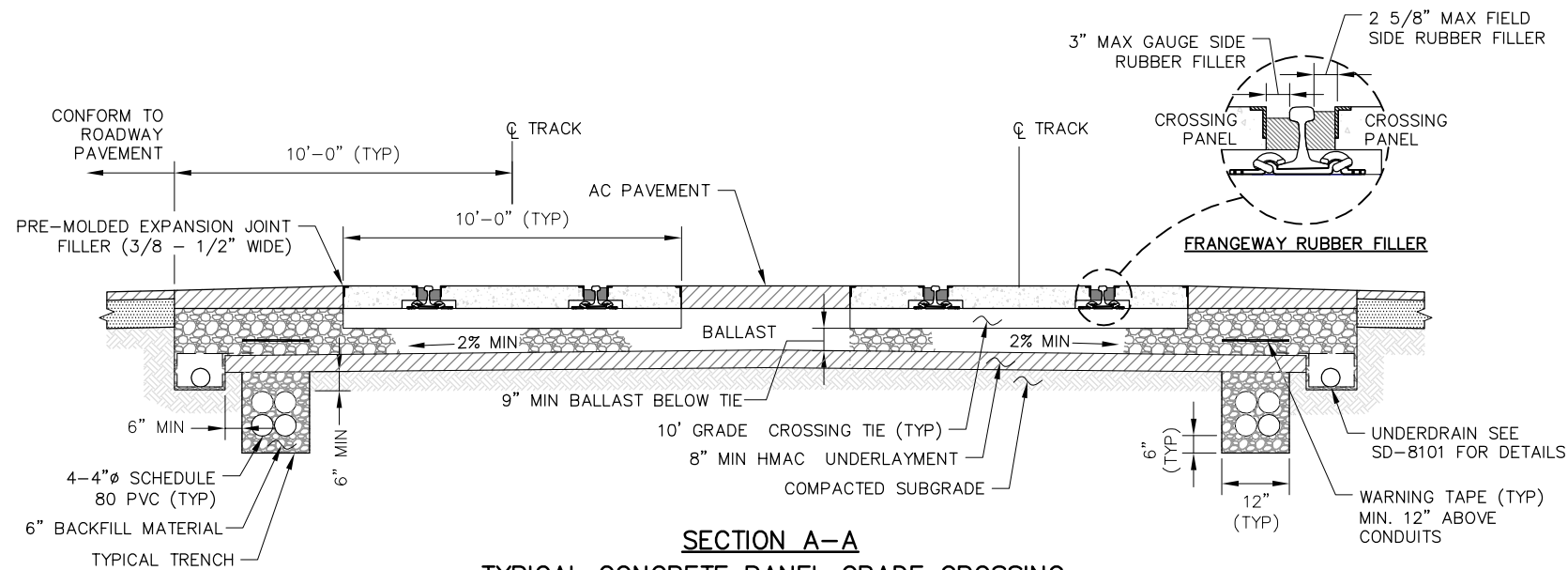
TYPICAL CONCRETE GRADE CROSSING LAYOUT



PLAN VIEW

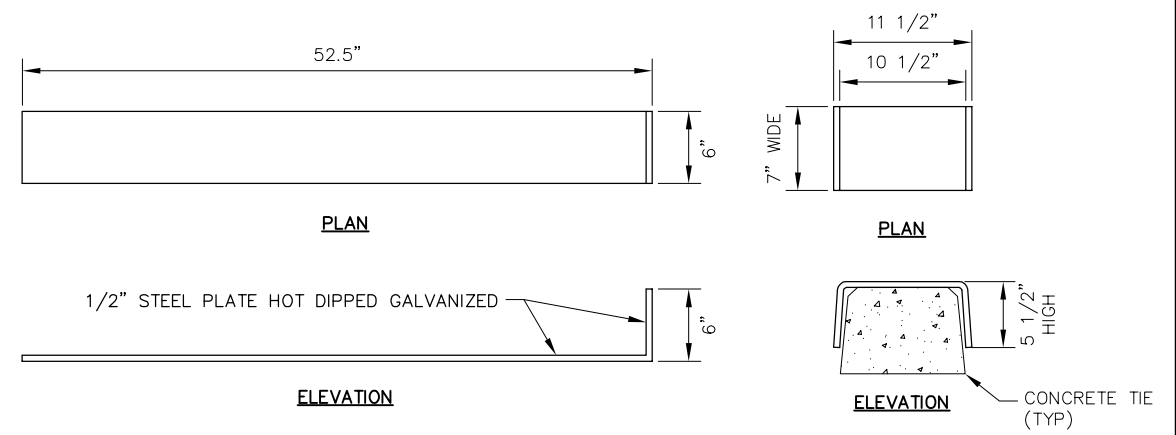
ELEVATION

TYPICAL CONCRETE PANEL WITH STEEL DEFLECTOR AND END RESTRAINT



**SECTION A-A
TYPICAL CONCRETE PANEL GRADE CROSSING WITH SIDE UNDERDRAINS**

NOTE: DESIGNER TO FINALIZE UNDERDRAIN DESIGN



PLAN

PLAN

ELEVATION




ELEVATION

END RESTRAINT

CONCRETE TIE SADDLE

1/2" X 7" X 1'-10" STEEL PLATE FORMED AS SHOWN (HOT DIP GALVANIZED)

REV	DATE	BY	CHK	APP	DESCRIPTION

PENINSULA CORRIDOR JOINT POWERS BOARD		STANDARD DRAWINGS		CADD FILE NO.: SD-2153	
APPROVED BY:				REV	DATE
 				0	093011
ENGINEERING MANAGER		DEPUTY DIRECTOR OF ENGINEERING		TRACK	
1250 San Carlos Avenue San Carlos, CA 94070		TRACK STRUCTURE AT-GRADE CROSSINGS		STANDARD NO.: SD-2153	