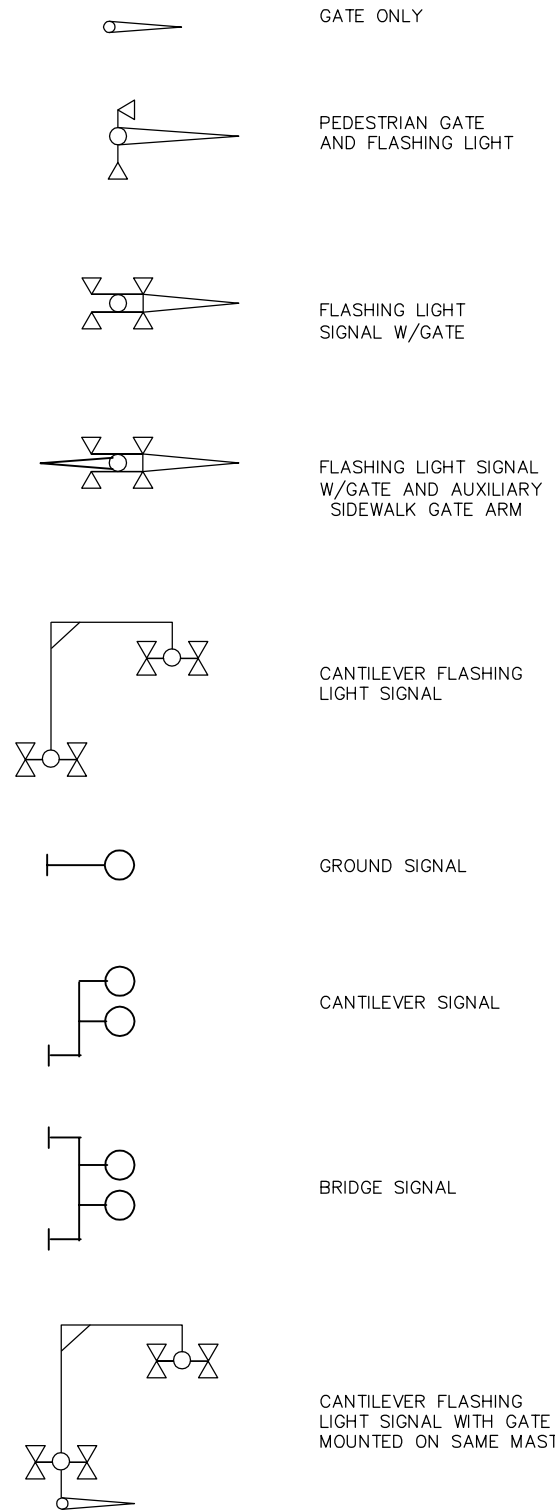
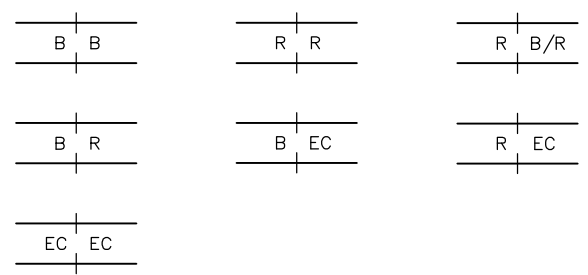


SIGNALS AND GATES

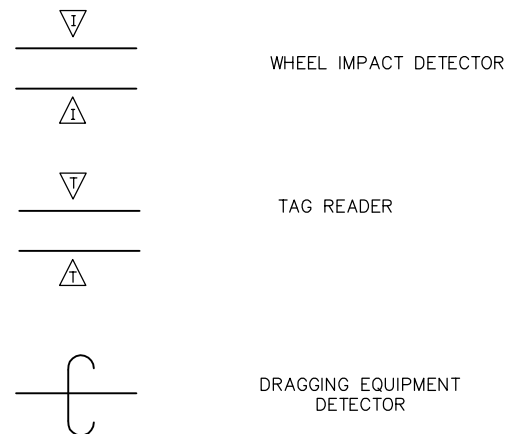


TRACK CIRCUITS

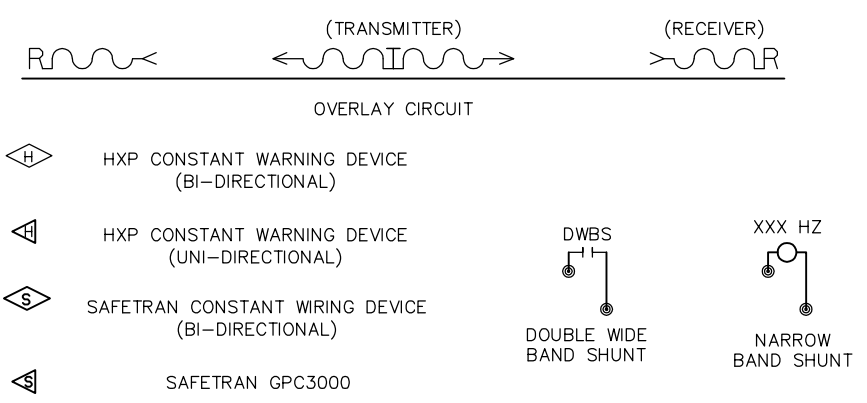


B/R-TRACK BATTERY WITH FLOATER RELAY LOCATION
 EC-ELECTRONICALLY CODED
 R-TRACK RELAY LOCATION
 B-TRACK BATTERY LOCATION

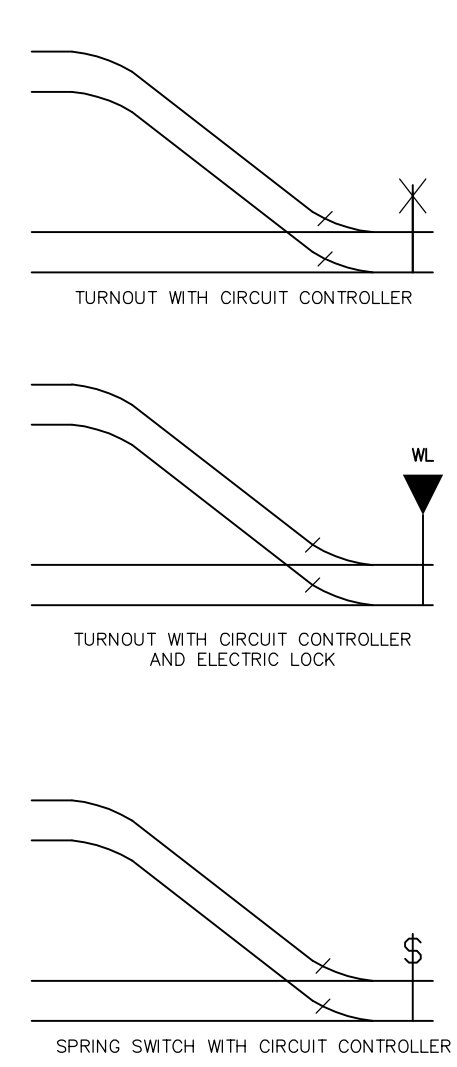
DETECTORS



TRACK INSTRUMENT



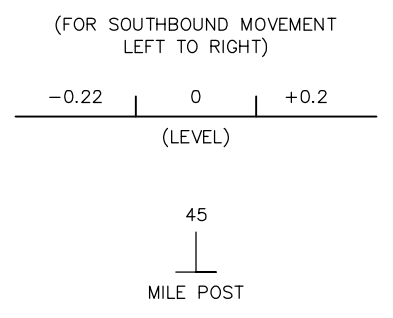
HAND-OPERATED TURNOUTS



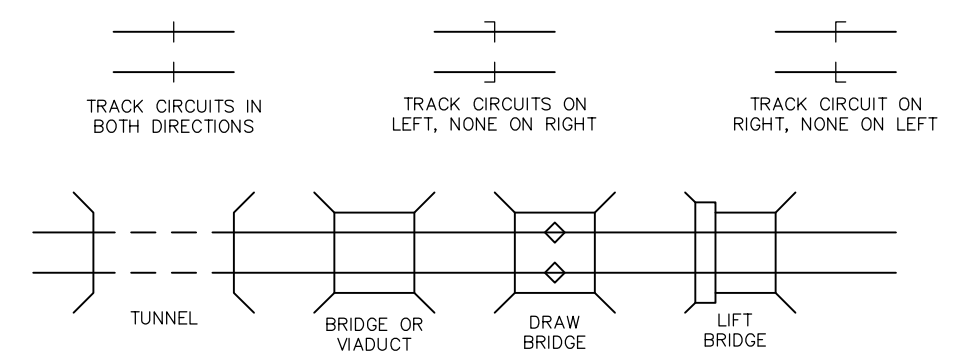
RAIL BONDING



PROFILE (GRADE)



INSULATED RAIL JOINTS



REV	DATE	BY	CHK	APP	DESCRIPTION	REV	DATE	BY	CHK	APP	DESCRIPTION

PENINSULA CORRIDOR JOINT POWERS BOARD

APPROVED BY:

Bernard Anagnostis *Steph Chen*

ENGINEERING MANAGER DEPUTY DIRECTOR OF ENGINEERING



1250 San Carlos Avenue
San Carlos, CA 94070

STANDARD DRAWINGS

GENERAL SYMBOLS

SIGNAL AND COMMUNICATIONS

CADD FILE NO.: SD-1202	
REV 0	DATE 061511
GENERAL	
STANDARD NO.: SD-1202	