

SIGN AND MARKING SCHEDULE – STATIONS AND FACILITIES

ITEM	SIGN NO	DESCRIPTION	STD DWG	SIZE (W X H)	NOTE	ITEM	SIGN NO	DESCRIPTION	STD DWG	SIZE (W X H)	NOTE
STATION IDENTIFIER (ID SERIES)						PARKING SIGNS (PK SERIES)					
1	ID-1	STATION ID – ON LIGHT POLES	SD-3310	3'-0" X 0'-10"		1	PK-1	PARKING TICKET INFORMATION	SD-3380	2'-0" X 5'-0"	
2	ID-2	STATION ID (WITH BRAILLE) – ON POSTS	SD-3310	1'-0" X 1'-0"	BRAILLE NOT INCLUDED	2	PK-2	LOT OPERATOR INFORMATION	SD-3380	2'-0" X 3'-0"	
3	ID-3A	STATION LOGO – ON SHELTERS (Decal)	SD-3301	1'-8" X 1'-0" (APPROX)	OWNER FURNISHED, CONTRACTOR INSTALL	3	PK-3A	EMPLOYEE & TRAIN OPERATOR PARKING TYPE 1	SD-3381	1'-0" X 1'-6"	
4	ID-3B	STATION ID LOGO – ON MONUMENT (Decal)	SD-3301	1'-3" X 0'-8" (APPROX)	OWNER FURNISHED, CONTRACTOR INSTALL	4	PK-3B	EMPLOYEE & TRAIN OPERATOR PARKING TYPE 2	SD-3381	2'-0" X 3'-0"	
5	ID-4	COMMUTER RAIL LOGO (Decal)	SD-3301	1'-4" X 1'-4" (APPROX)	OWNER FURNISHED, CONTRACTOR INSTALL	5	PK-4A	CALTRAIN EMPLOYEE PARKING TYPE 1	SD-3381	1'-0" X 1'-6"	
OPERATIONS SIGNS (OPS SERIES)						GRADE CROSSING SIGNS (GC SERIES)					
1	OPS-1	INFORMATION DISPLAY CASE	SD-3210	4'-2" X 0'-10"		1	GC-1	DO NOT GO AROUND GATE WHEN DOWN	SD-7006	2'-6" X 1'-0"	
2	OPS-2A	SPOT CAB, "SC" TYPE	SD-3320	1'-2" X 0'-11"		2	GC-2	EMERGENCY EXIT	SD-7006	2'-6" X 1'-0"	
3	OPS-2B	SPOT CAB, "SB" TYPE	SD-3320	1'-2" X 0'-11"							
4	OPS-2C	SPOT CAB, "SC 6" TYPE	SD-3320	1'-2" X 0'-11"							
5	OPS-2D	SPOT CAB, "SB 6" TYPE	SD-3320	1'-2" X 0'-11"							
6	OPS-4	TICKETS ON TVM SHELTERS	SD-3202 AND SD-3205	23" X 0'-5" (APPROX)	DECAL, OWNER FURNISHED, CONTRACTOR INSTALL						
BOARDING ASSISTANCE SIGNS (BA SERIES)											
1	BA-1	BAA	SD-3330	1'-0" X 1'-6"	DOUBLE SIDED						
2	BA-2	BENCH CARD	SD-3330	1'-0" X 0'-6"							
3	BA-3	BAA	SD-3330	6'-0" X 4'-0"	STENCIL MARKING						
4	BA-4	WHEELCHAIR SYMBOL	SD-3330	6'-0" X 4'-0"	STENCIL MARKING						
STATION DIRECTIONAL SIGNS (DIR SERIES)											
1	DIR-1A, 1B	STATION DIRECTIONAL SIGN TYPE 1	SD-3340	5'-6" X 2'-6"							
2	DIR-2A, 2B	STATION DIRECTIONAL SIGN TYPE 2	SD-3340	5'-6" X 2'-6"							
3	DIR-3A, 3B	STATION DIRECTIONAL SIGN TYPE 3	SD-3340	2'-0" X 0'-10"							
REGULATORY AND WARNING SIGNS (RW SERIES)											
1	RW-1	CAUTION: EXPRESS TRAINS	SD-3350	5'-6" X 2'-6"							
2	RW-2	NO FUN SIGN	SD-3350	4'-6" X 1'-6"							
3	RW-3	WARNING: LOOK BEFORE CROSSING	SD-3350	1'-6" X 1'-6"							
4	RW-4	NO TRESPASSING/SUICIDE PREVENTION	SD-3352	2'-0" X 1'-6"	DOUBLE SIDED						
5	RW-5A	KEEP RIGHT	SD-3352	1'-4" X 2'-6"							
6	RW-5B	KEEP LEFT	SD-3352	1'-4" X 2'-6"							
7	RW-6A	YELLOW SAFETY STRIPING	SD-3502	6" HIGH LETTERS	STENCIL MARKING						
8	RW-6B	YELLOW SAFETY STRIPING (TERMINAL STATIONS)	SD-3502	6" HIGH LETTERS	STENCIL MARKING						
9	RW-6C	WARNING MARKING ON MINI-HIGH PLATFORMS	SD-3502	6" HIGH LETTERS	STENCIL MARKING						
10	RW-6D	WAIT BEHIND YELLOW TILES ON MINI-HIGH PLATFORMS	SD-3502	6" HIGH LETTERS	STENCIL MARKING						
PROOF OF PAYMENT SIGNS (POP SERIES)											
1	POP-2A	POP ON PLATFORM	SD-3351	1'-6" X 2'-0"							
2	POP-2B	POP ON CENTER FENCE	SD-3351	5'-6" X 2'-6"							
WAYFINDING SIGNS (WF SERIES)											
1	WF-1A	MONUMENT STATION SITE SIGN	SD-3360	3'-0" X 4'-0"							
2	WF-1B	STATION ID ON OVERPASS	SD-3362	VARIES							
3	WF-2	VEHICULAR DIRECTIONAL	SD-3361	4'-0" X 1'-0"							
4	WF-3A	BOARDING AREA DIRECTIONAL	SD-3361	1'-9" X 1'-9"							
5	WF-3B	EXTERIOR PATHWAY DIRECTIONAL	SD-3361	1'-9" X 1'-9" & 1'-9" X 0'-10.5"							
6	WF-5A	ELEVATOR WAYFINDING (FRONT SIDE)	SD-3362	1'-9" X 1'-9"							
7	WF-5B	ELEVATOR WAYFINDING (BACK SIDE)	SD-3362								
8	WF-5C	ELEVATOR WAYFINDING (LEFT ARROW)	SD-3362	0'-8" X 2'-6"							
9	WF-5D	ELEVATOR WAYFINDING (RIGHT ARROW)	SD-3362								

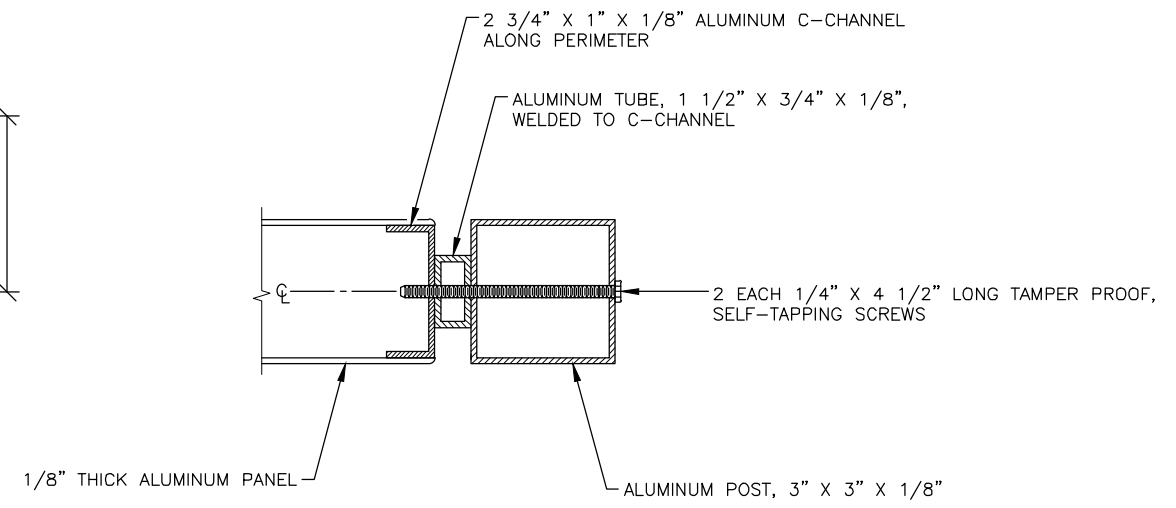
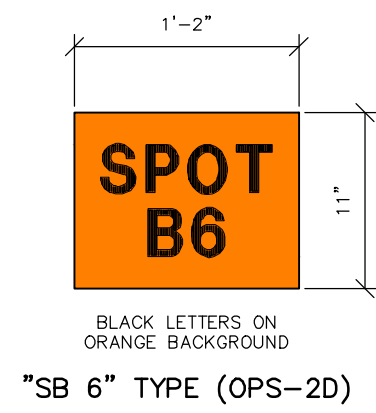
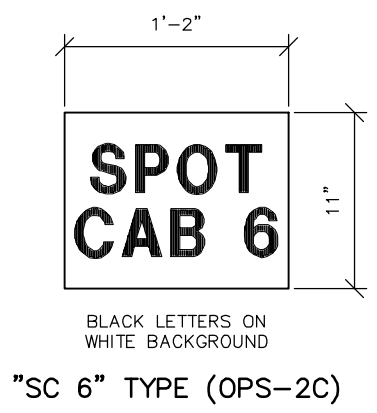
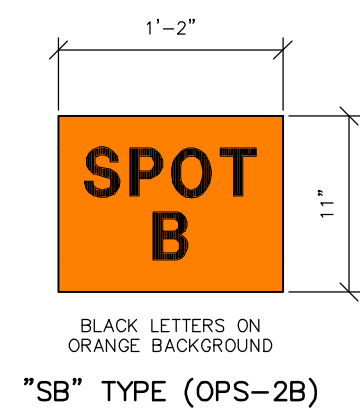
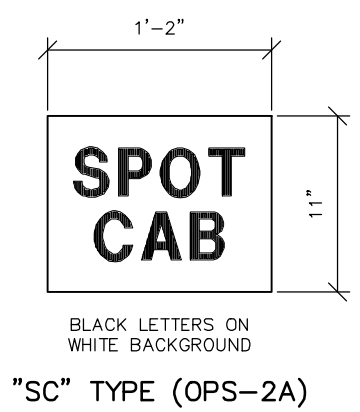
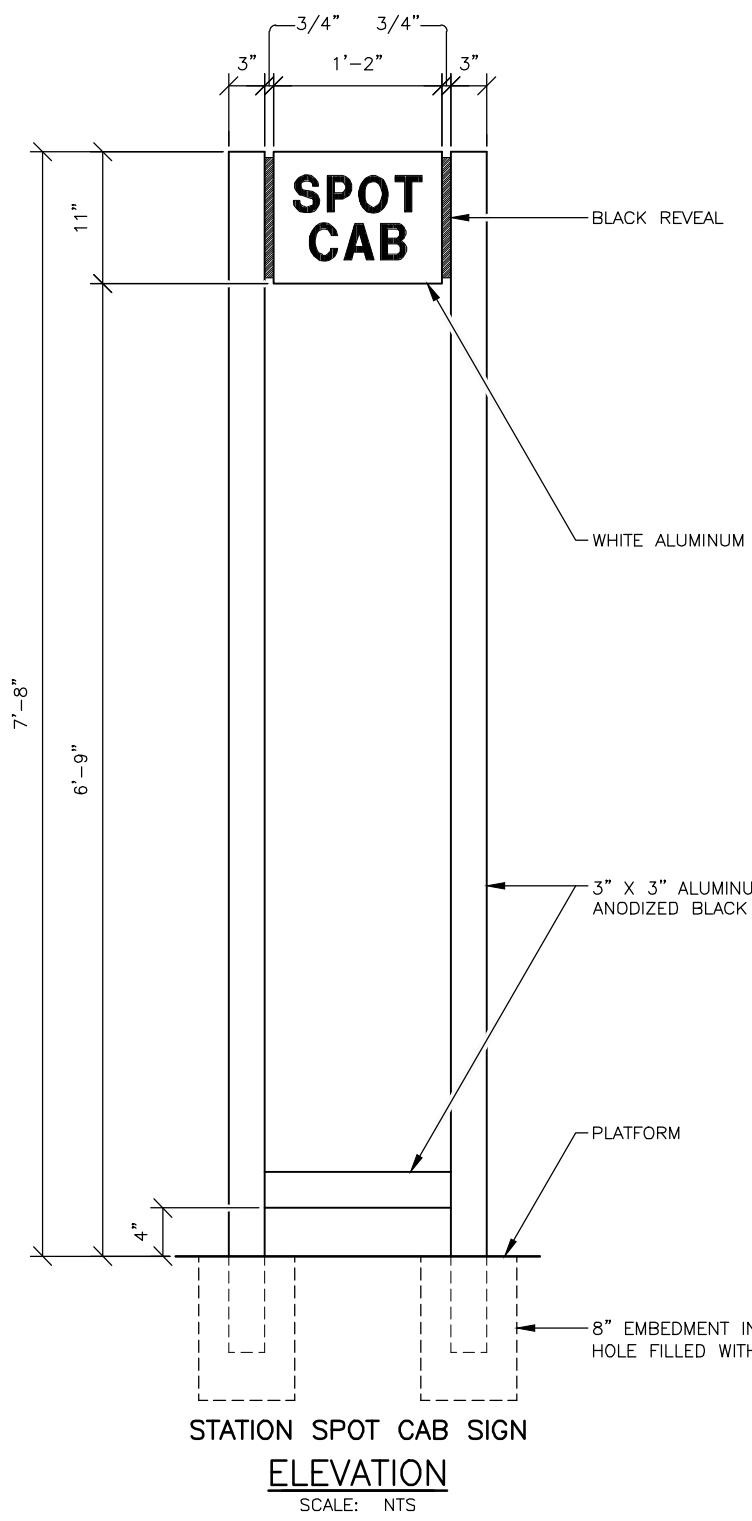
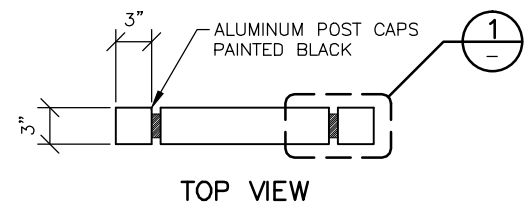
GENERAL SIGN REQUIREMENTS:

ALL SIGNS SHALL COMPLY WITH THE FOLLOWING GENERAL REQUIREMENTS UNLESS NOTED OTHERWISE IN THE INDIVIDUAL STANDARD DRAWINGS.

1. CALTRAIN WILL PROVIDE ARTWORK FOR ALL CALTRAIN (STATIONS AND FACILITIES, AND GRADE CROSSINGS) SIGNS FOR FABRICATION BY CONTRACTOR. SUBMIT PDF PROOF TO CALTRAIN FOR APPROVAL PRIOR TO FABRICATION.
 2. CALTRAIN DOES NOT PROVIDE ARTWORK FOR MUTCD SIGNS.
 3. CALTRAIN DOES NOT PROVIDE ARTWORK FOR STENCIL MARKINGS ON PLATFORMS.
 4. CALTRAIN WILL PROVIDE CORPORATE LOGO UPON REQUEST.
 5. SIGN PANEL MATERIAL (MINIMUM THICKNESS):
 - 0.080 (ABOUT 0.1" THICK) ALUMINUM 5052 TENSILE STRENGTH (FOR SIGN PANELS UP TO 24" WIDE IN ANY DIMENSION).
 - 0.10 (ABOUT 0.125" THICK) ALUMINUM 5052 TENSILE STRENGTH (FOR SIGN PANELS LARGER THAN 24" IN ANY DIMENSION UP TO 6'-0" IN ANY DIMENSION).
 6. FONT: HELVETICA NEUE 65 MEDIUM UPPER AND LOWER CASE LETTERS UNLESS NOTED OTHERWISE.
 7. OVERLAY: 3M 1160 PREMIUM PROTECTIVE OVERLAY.
 8. FILM/SHEETING: 3M ENGINEERED REFLECTIVE GRADE SERIES 3290 OR HIGHER – WHITE.
 9. METHOD: ALL SIGNS SHALL BE SCREEN PRINTED. VINYL LETTERS ARE NOT TO BE USED, EXCEPT WHEN THEY ARE CUT OUT FOR OTHER APPLICATIONS SUCH AS STATION SHELTERS.
 10. FOLLOW FEDERAL STANDARD (FS 595B OR LATEST REVISION) FOR COLORS:
 - SAFETY GREEN: FS 14109 OR 14066
 - SAFETY RED: FS 11105 OR 11086
 - SAFETY YELLOW: FS 33538
 - SAFETY BLUE: FS 15080
 - ORANGE: FS 12243
 11. GRAFFITI RESISTANCE: APPLY A CLEAR, SEMI-GLOSS TOPCOAT TO ALL SIGN PANELS.
 12. FOR STENCIL MARKINGS AND STRIPING:
 - MARKINGS SHALL BE FULL FOR TEXT AND LETTERS.
 - PRIMER: APPLY PRIMER TO FILL SURFACE POROSITY OF CONCRETE.
 - APPLY A MINIMUM OF TWO COATS.
 13. ALL HOLES FOR MOUNTING SHALL BE DRILLED IN THE SHOP.
 14. MOUNTING HARDWARE: TAMPER PROOF, SS 316.
 15. FOR SIGNS LOCATED ON RIGHT-OF-WAY (ROW), SEE SD-9000 SERIES DRAWINGS.
- THESE ARE TYPICAL CALTRAIN SIGNS. DESIGNERS SHOULD DEVELOP FOR CALTRAIN'S APPROVAL ADDITIONAL SIGNS AS REQUIRED.
- FOR MTC HUB SIGN PROGRAM (HSP) SIGN REQUIREMENTS, SEE: http://mtcfilehost.net/hub_signage/final_standards/

REV	DATE	BY	CHK	APP	DESCRIPTION	REV	DATE	BY	CHK	APP
1	011516	GK	CC	CC	ADDED NEW SIGNS TO TABLE					

PENINSULA CORRIDOR JOINT POWERS BOARD		STANDARD DRAWINGS		CADD FILE NO.: SD-3300
APPROVED BY:				REV 1 DATE 01152016
		STATIONS AND FACILITIES SIGNAGE		STATIONS AND FACILITIES
ENGINEERING MANAGER	DEPUTY DIRECTOR OF ENGINEERING	SIGN AND MARKING SCHEDULE		STANDARD NO.: SD-3300
		1250 San Carlos Avenue San Carlos, CA 94070		



NOTE:
SEE SD-3300 FOR GENERAL REQUIREMENTS.

REV	DATE	BY	CHK	APP	DESCRIPTION
1	011516	GK	CC	CC	MODIFIED MOUNTING DETAIL, ADDED SIGNS

REV	DATE	BY	CHK	APP

PENINSULA CORRIDOR JOINT POWERS BOARD

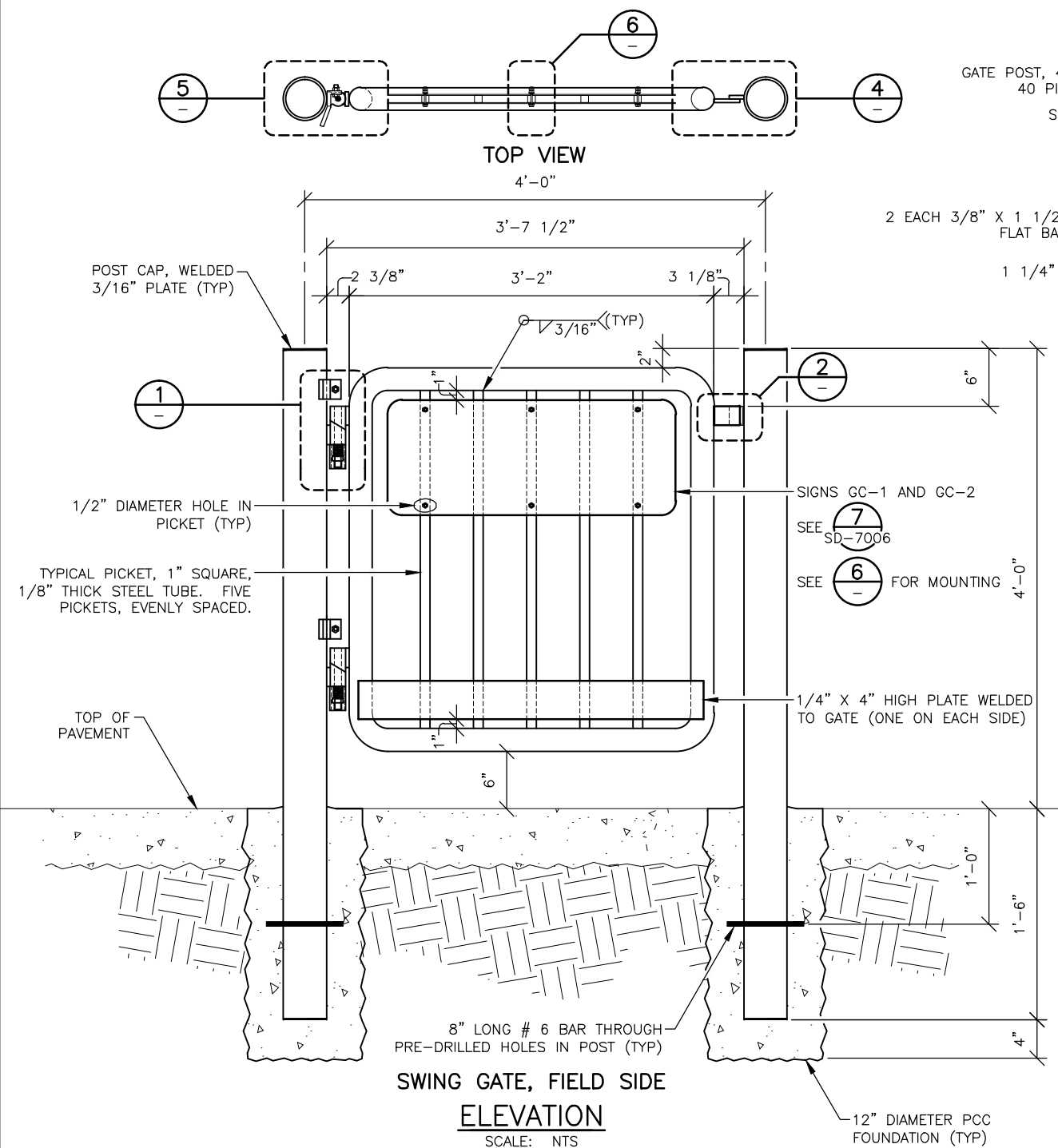
APPROVED BY:

ENGINEERING MANAGER

DEPUTY DIRECTOR OF ENGINEERING

1250 San Carlos Avenue
San Carlos, CA 94070

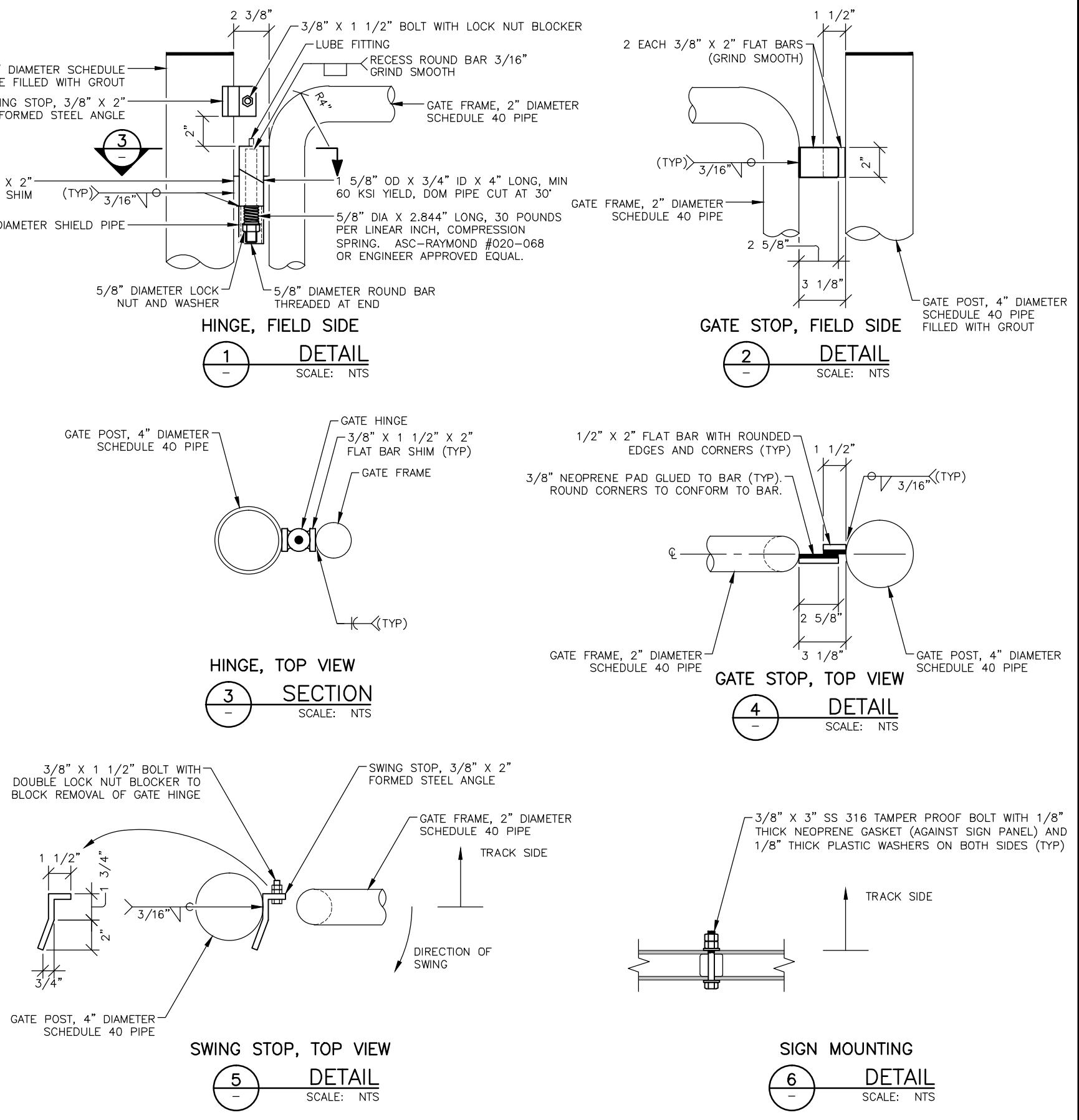
CADD FILE NO.:	
SD-3320	
REV	DATE
1	01152016
STATIONS AND FACILITIES SIGNAGE	
STATION SPOT CAB SIGNS	
STANDARD NO.:	
SD-3320	



- NOTES:**
- ALL MATERIAL (EXCEPT SIGN PANELS) SHALL BE HOT DIPPED GALVANIZED AFTER FABRICATION AND PAINTED FEDERAL SAFETY YELLOW (FS 33538.)
 - USE TAMPER PROOF BOLTS FOR MOUNTING SIGN PANELS.
- WORKMANSHIP:**
- POSTS, GATE AND HINGES SHALL BE ACCURATELY POSITIONED, PLUMBED, LEVELED, SQUARED AND ALIGNED. FOR GATES TO FUNCTION PROPERLY, A HIGH DEGREE OF WORKMANSHIP IN THEIR FABRICATION AND INSTALLATION IS REQUIRED.
 - FABRICATE A COMPLETE MOCK-UP OF THE GATE FOR ENGINEER'S APPROVAL. THE APPROVED MOCK-UP SHALL SERVE AS THE STANDARD FOR ALL GATES FABRICATED AND INSTALLED AS PART OF THE PROJECT.

REV	DATE	BY	CHK	APP	DESCRIPTION
1	011516	GK	CC	CC	CLARIFIED PICKET DETAILS

REV	DATE	BY	CHK	APP




PENINSULA CORRIDOR JOINT POWERS BOARD

APPROVED BY:

Charles Chen *Steph Chen*

ENGINEERING MANAGER DEPUTY DIRECTOR OF ENGINEERING



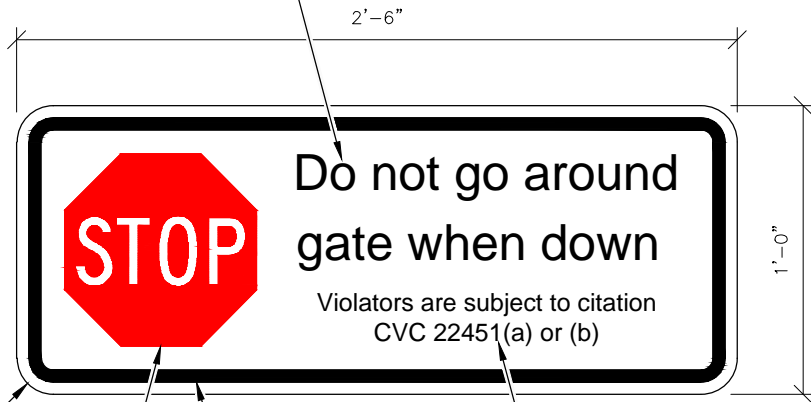
1250 San Carlos Avenue
San Carlos, CA 94070

STANDARD DRAWINGS

GRADE CROSSINGS
PEDESTRIAN CROSSING
GATE, RAILING AND SIGNAGE
SHEET 1 OF 2

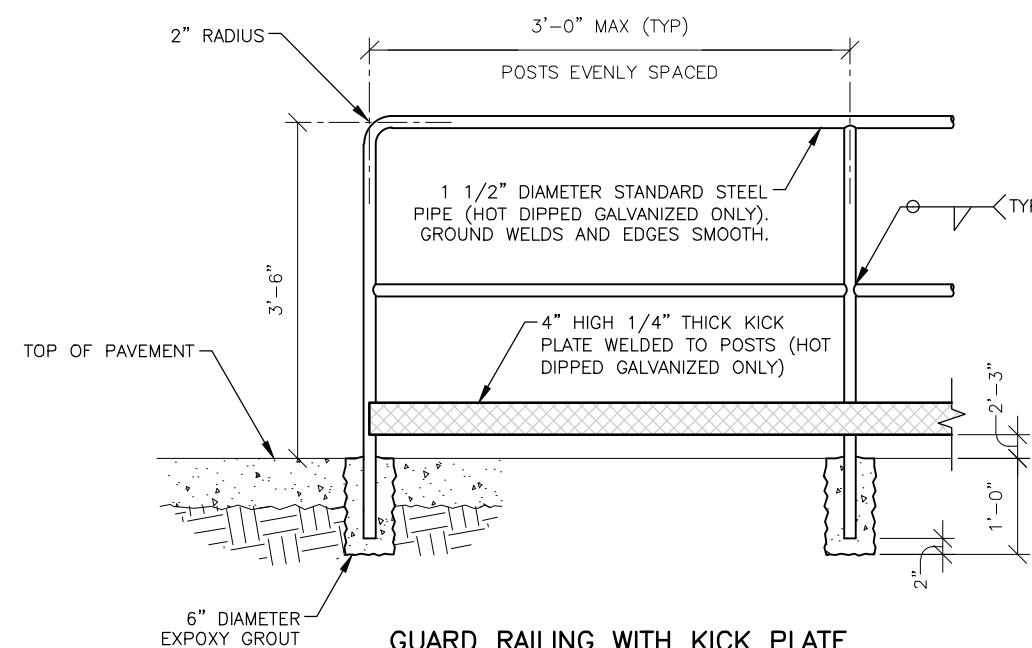
CADD FILE NO.:	SD-7005
REV	DATE
1	01152016
GRADE CROSSINGS	
STANDARD NO.:	SD-7005

BLACK VINYL LETTERS. 1 1/2" HIGH HELVETICA NEUE 65 MEDIUM UPPER AND LOWER CASE.



1 1/2" RADIUS (TYP)
 8" OCTAGONAL RED STOP SIGN SYMBOL. FEDERAL SAFETY RED (FS 21105 OR 21310) WITH 4" HIGH WHITE HELVETICA MEDIUM UPPER CASE LETTERING.
 1/2" WIDE BLACK BORDER 1/2" IN FROM EDGE OF SIGN
 BLACK VINYL LETTERS. 3/4" HIGH HELVETICA MEDIUM UPPER AND LOWER CASE.

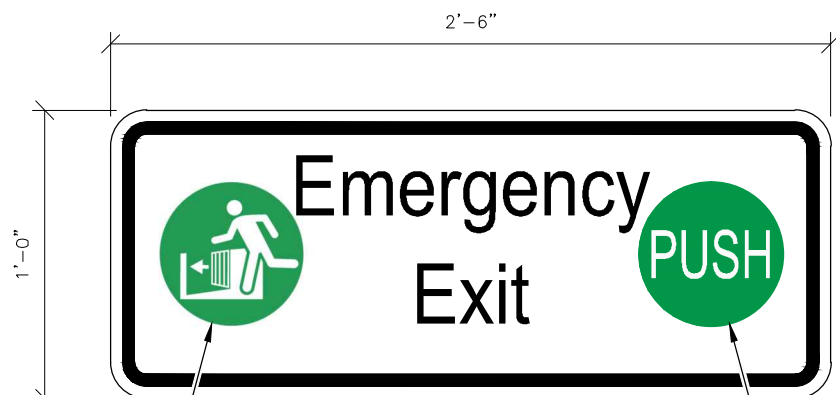
FIELD SIDE SIGN (GC-1)



GUARD RAILING WITH KICK PLATE

ELEVATION

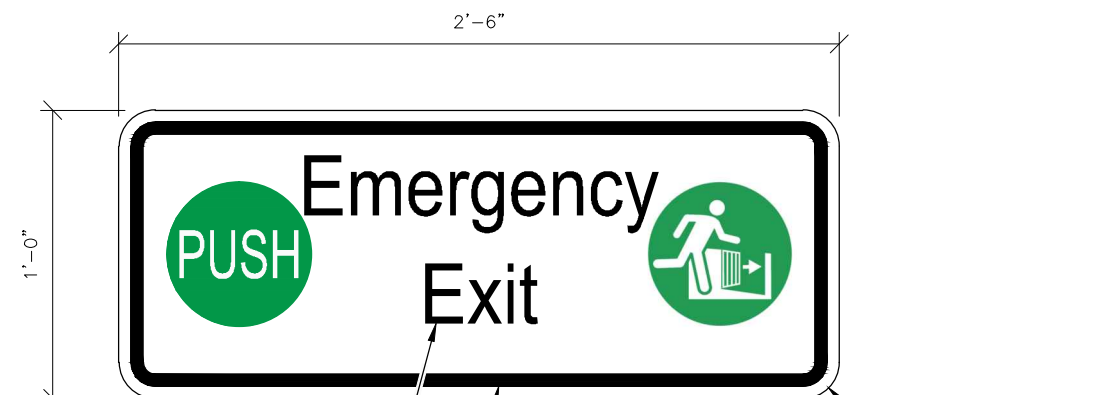
SCALE: NTS



6" DIAMETER EXIT SYMBOL, 1" CLEAR FROM BORDER. PLACE SYMBOL AS SHOWN ON LATCH SIDE OF THE SWING GATE (TYP).

6" DIAMETER CIRCULAR PUSH SYMBOL, FEDERAL SAFETY GREEN (FS 14109 OR 14066) WITH 2" HIGH WHITE HELVETICA MEDIUM UPPER CASE LETTERING, 1" CLEAR FROM BORDER. PLACE SYMBOL ON HINGE SIDE OF THE SWING GATE (TYP).

TRACK SIDE SIGN (GC-2)
 FOR CLOCKWISE SWINGING GATES



BLACK VINYL LETTERS. 2 1/2" HIGH HELVETICA NEUE 65 MEDIUM UPPER AND LOWER CASE (TYP).

1/2" WIDE BLACK BORDER 1/2" IN FROM EDGE OF SIGN (TYP)

TRACK SIDE SIGN (GC-2)
 FOR COUNTERCLOCKWISE SWINGING GATES

SWING GATE SIGNAGE DETAILS

SD-7005 **7** SD-7006 **DETAIL**
 SCALE: NTS

NOTES:

- SEE SD-3300 FOR SIGN REQUIREMENTS AND SPECIFICATIONS.
- SIGN PANELS: 0.120" THICK REFLECTORIZED WHITE ALUMINUM.

REV	DATE	BY	CHK	APP	DESCRIPTION
1	011516	GK	CC	CC	MODIFIED SIGNAGE SYMBOLS

REV	DATE	BY	CHK	APP

PENINSULA CORRIDOR JOINT POWERS BOARD

APPROVED BY:

ENGINEERING MANAGER

DEPUTY DIRECTOR OF ENGINEERING

1250 San Carlos Avenue
San Carlos, CA 94070

STANDARD DRAWINGS

**GRADE CROSSINGS
 PEDESTRIAN CROSSING
 GATE, RAILING AND SIGNAGE
 SHEET 2 OF 2**

CADD FILE NO.: SD-7006	
REV 1	DATE 01152016
GRADE CROSSINGS	
STANDARD NO.: SD-7006	