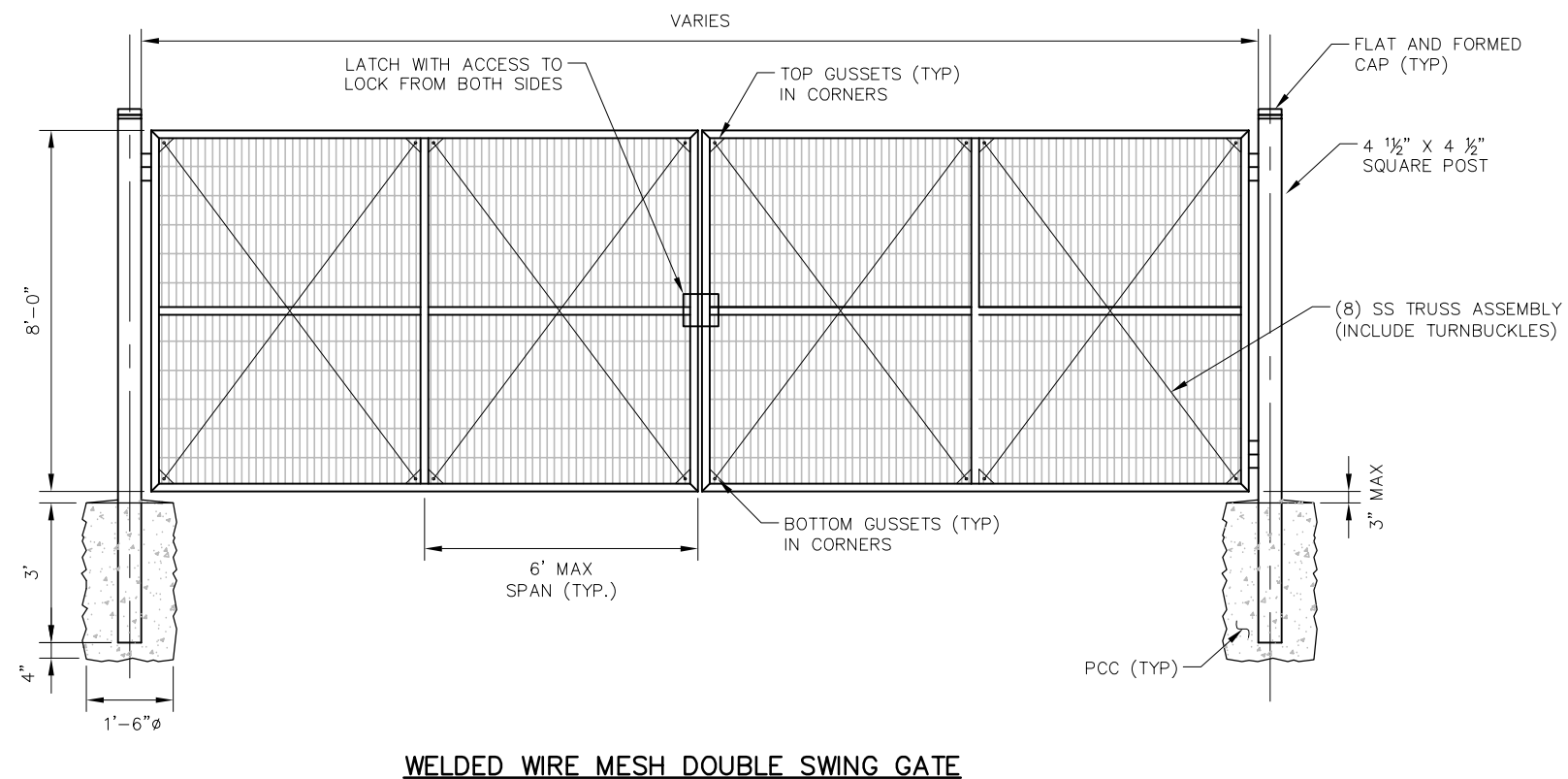


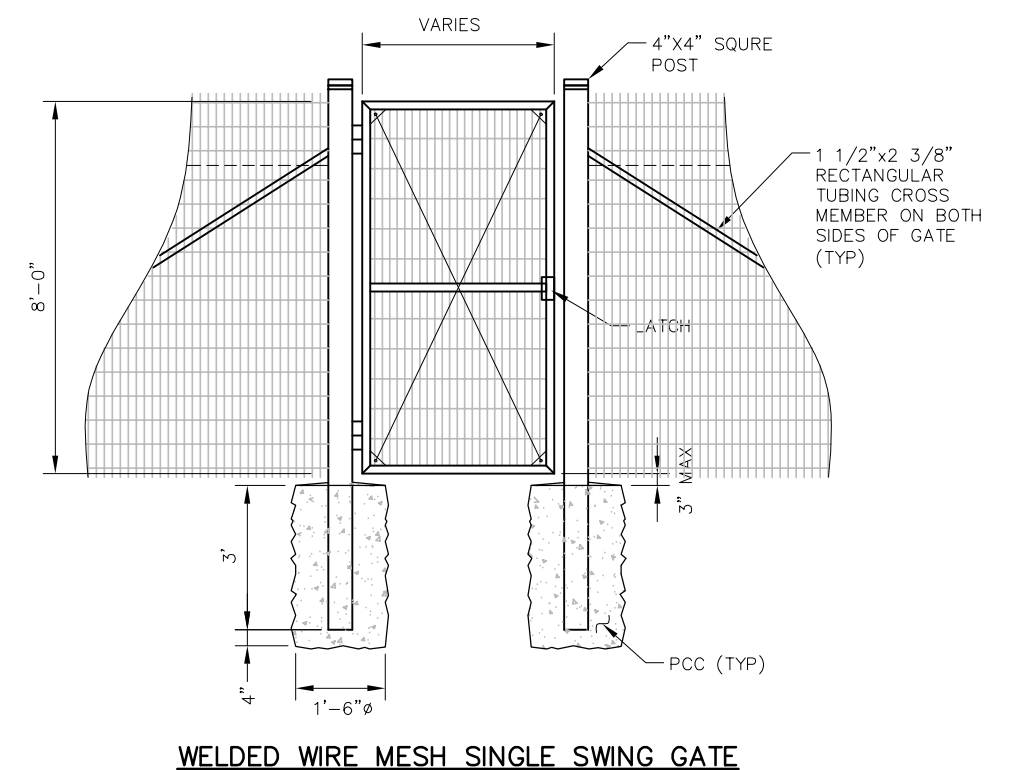
WELDED WIRE MESH FENCE PANELS

NOTES:

1. WELDED WIRE MESH SHALL BE TYPHOON, HOT DIPPED GALVANIZED, BY SECURE TECHNOLOGY, INC. OR APPROVED EQUAL.
2. SIZE AND TYPE OF FASTENERS, JUNCTION CLIPS AND TOUCH CLIPS SHALL BE AS PER THE MANUFACTURERS RECOMMENDATIONS. QUANTITY PER PANEL OF FASTENERS, JUNCTION CLIPS AND TOUCH CLIPS SHALL BE PER THE MANUFACTURERS RECOMMENDATION.



WELDED WIRE MESH DOUBLE SWING GATE



WELDED WIRE MESH SINGLE SWING GATE

REV	DATE	BY	CHK	APP	DESCRIPTION	REV	DATE	BY	CHK	APP	DESCRIPTION

PENINSULA CORRIDOR JOINT POWERS BOARD

APPROVED BY:




DISCIPLINE MANAGER DEPUTY DIRECTOR OF ENGINEERING

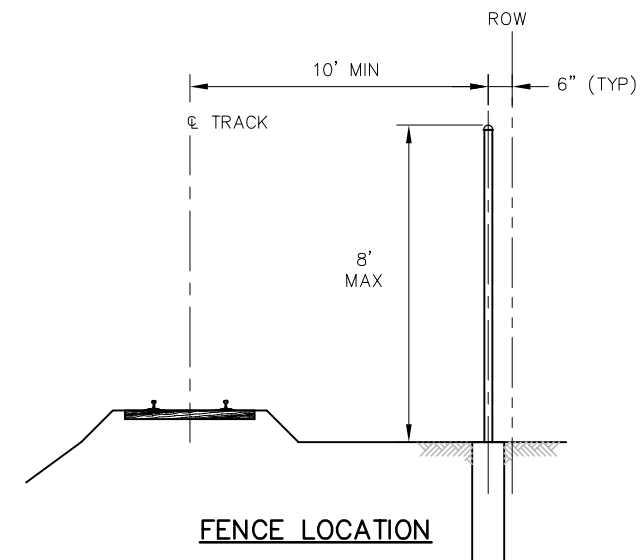
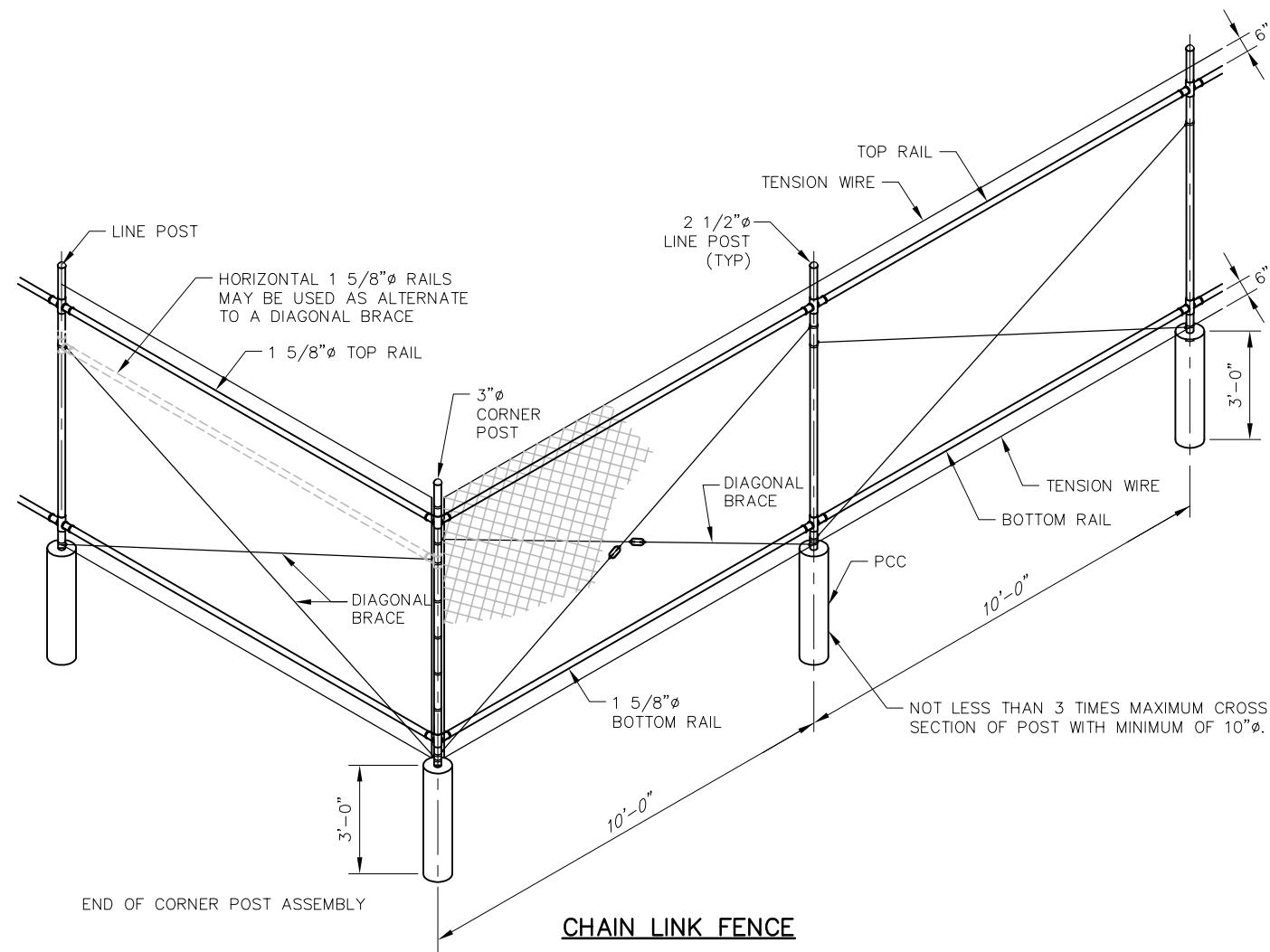


1250 San Carlos Avenue
 San Carlos, CA 94070

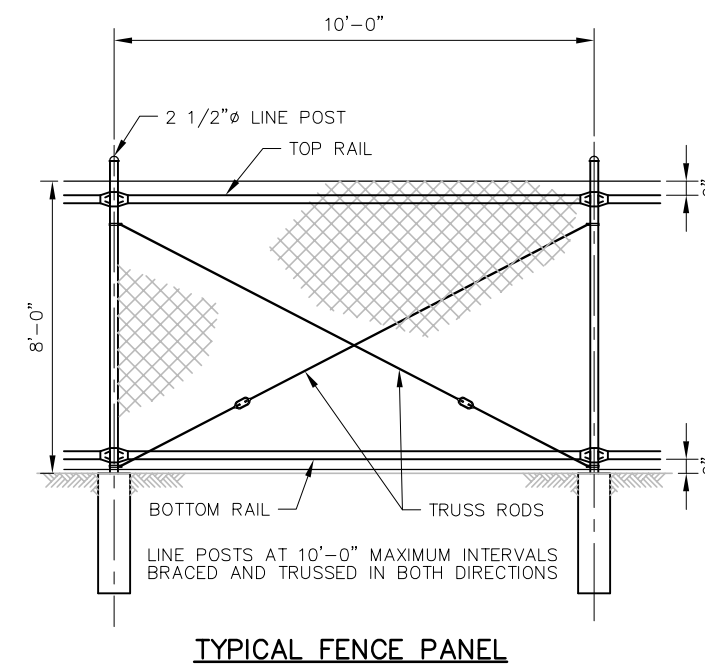
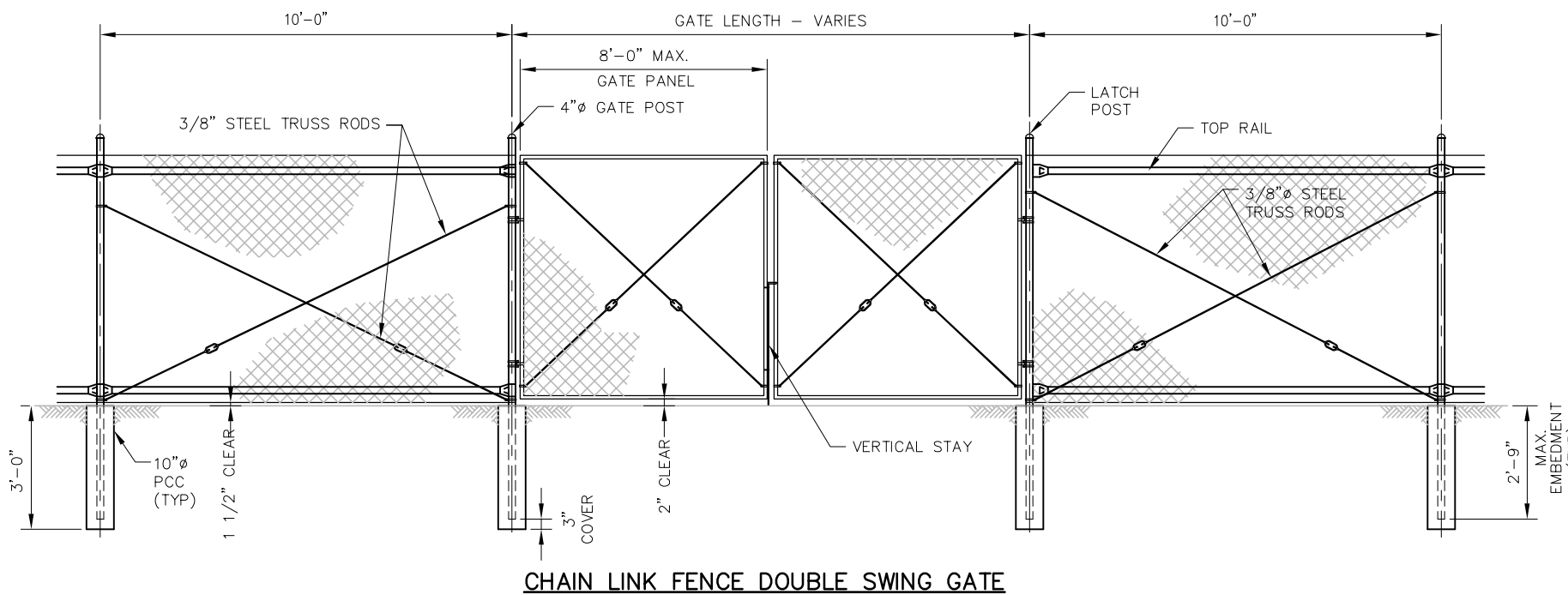
STANDARD DRAWINGS

RIGHT-OF-WAY
 FENCE
 RESIDENTIAL AREA
 WELDED WIRE MESH FENCE

CADD FILE NO.:		SD-9001
REV	DATE	041507
0		
STANDARD NO.:		SD-9001





- NOTES:**
1. WIRE GAUGE TO BE 9 GA.
 2. ALL METAL SHALL BE HOT-DIPPED GALVANIZED.




REV	DATE	BY	CHK	APP	DESCRIPTION

PENINSULA CORRIDOR JOINT POWERS BOARD

APPROVED BY:

DISCIPLINE MANAGER DEPUTY DIRECTOR OF ENGINEERING



1250 San Carlos Avenue
 San Carlos, CA 94070

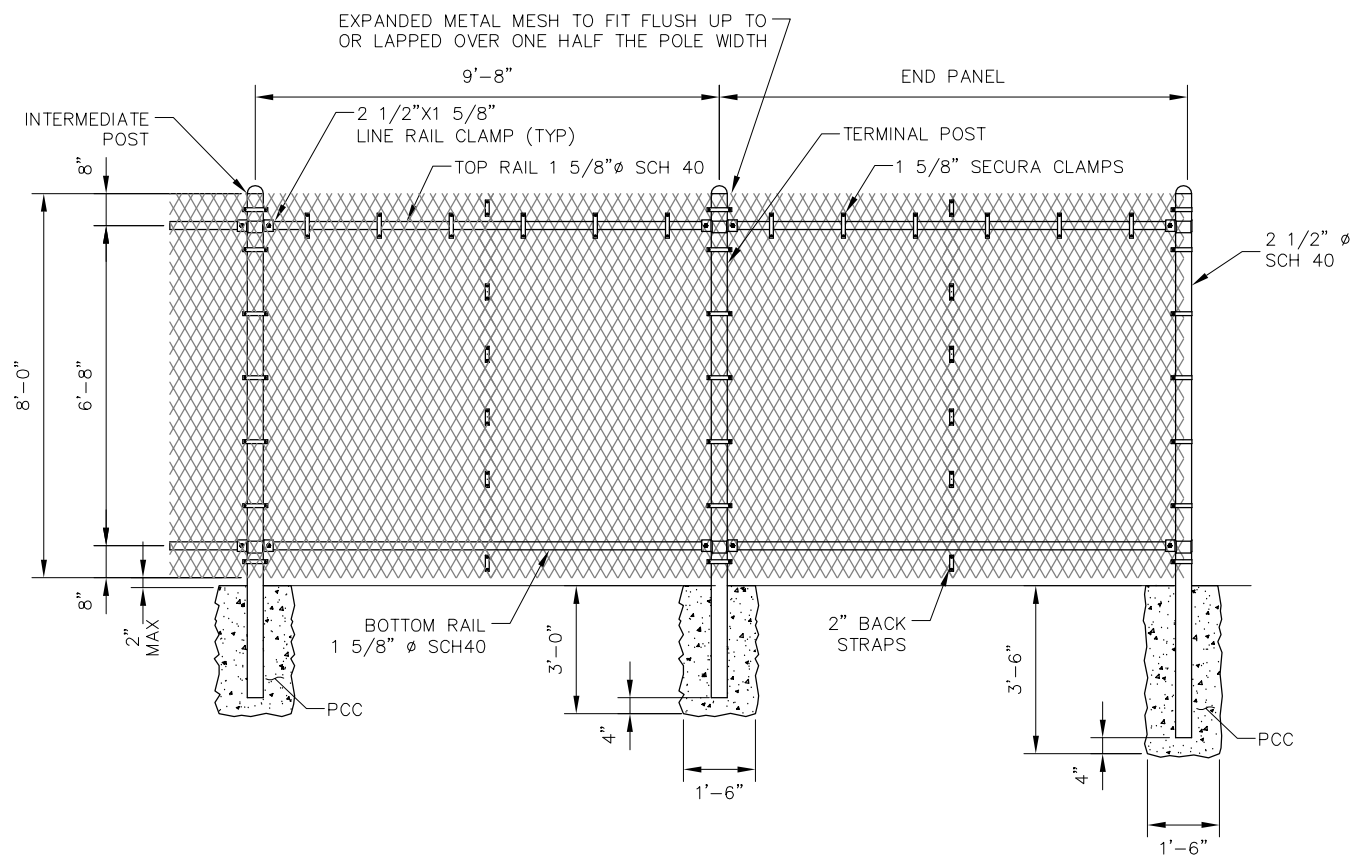
STANDARD DRAWINGS

RIGHT-OF-WAY
 FENCE
 INDUSTRIAL AREA
 CHAIN LINK FENCE

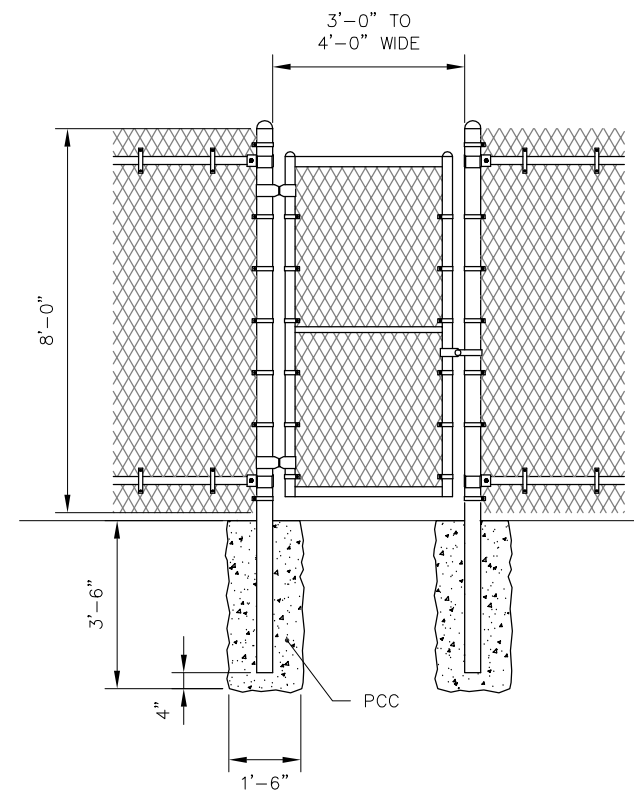
CADD FILE NO.:	SD-9002
REV	DATE
0	041507
RIGHT-OF-WAY	
STANDARD NO.:	SD-9002

NOTES

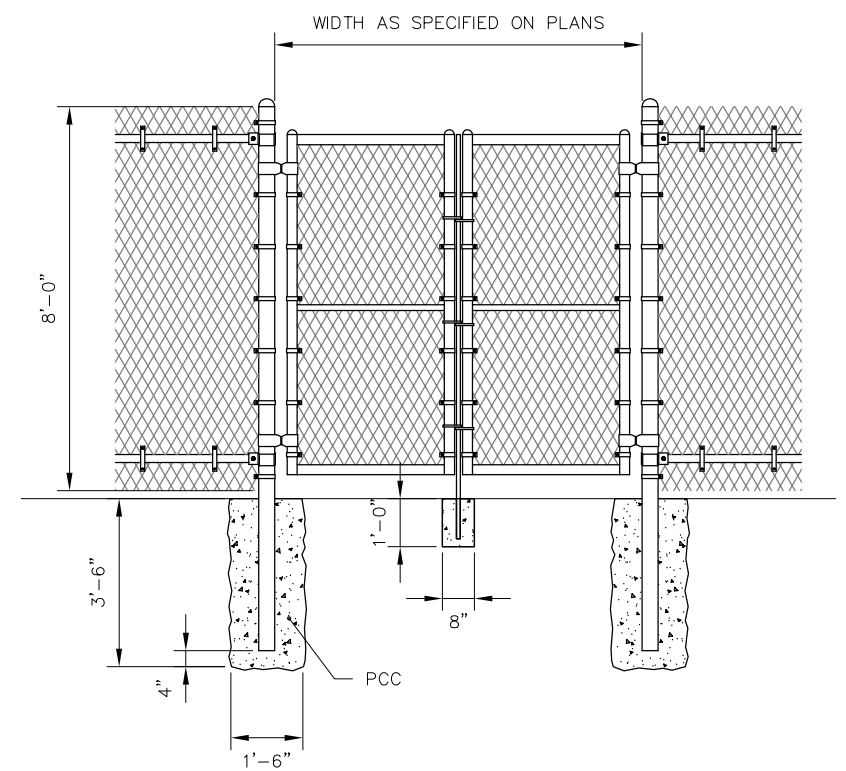
1. FENCE MESH SHALL BE SECURA 13 GAGE (REGULAR) WITH MESH DIAMOND SIZE 0.500" X 1.200" WITH MINIMUM 24 DIAMONDS PER LINEAR FOOT OR APPROVED EQUAL.
2. EXPANDED METAL MESH FENCE AND FITTING SHALL BE HOT DIPPED GALVANIZED.
3. SIZE AND TYPE OF FASTENERS AND FITTINGS SHALL BE AS PER THE MANUFACTURER'S RECOMMENDATION.
4. ALL NUT TYPE FASTENERS SHALL BE TACK-WELDED TO BOLTS AFTER TIGHTENING.



EXPANDED METAL MESH FENCE




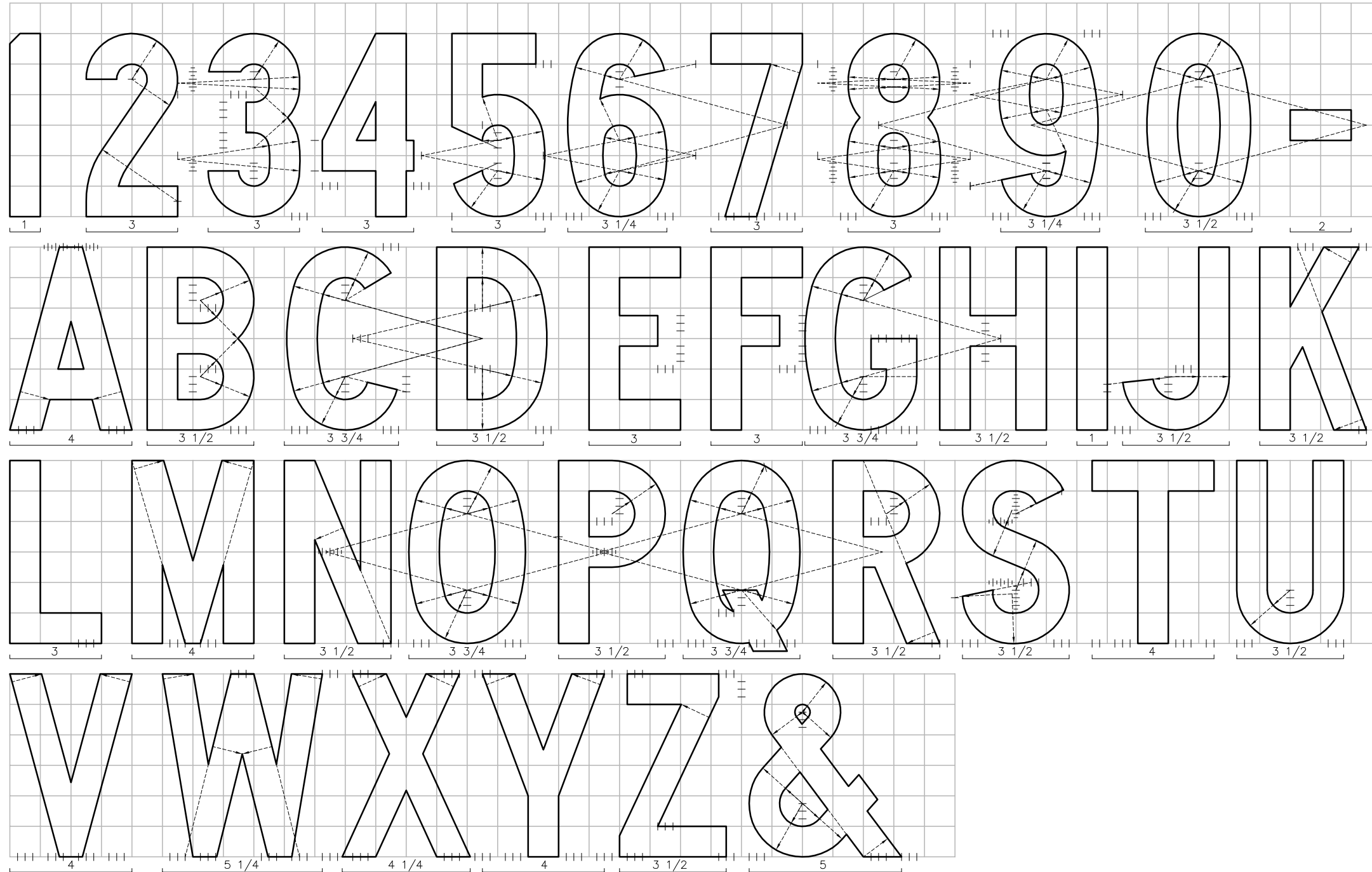
EXPANDED METAL MESH FENCE WITH SINGLE SWING GATE



EXPANDED METAL MESH FENCE WITH DOUBLE SWING GATE

REV	DATE	BY	CHK	APP	DESCRIPTION

PENINSULA CORRIDOR JOINT POWERS BOARD		STANDARD DRAWINGS	CADD FILE NO.: SD-9003
APPROVED BY:		RIGHT-OF-WAY FENCE HIGH SECURITY AREA EXPANDED METAL MESH FENCE	REV 0 DATE 041507
DISCIPLINE MANAGER DEPUTY DIRECTOR OF ENGINEERING			STANDARD NO.: SD-9003
1250 San Carlos Avenue San Carlos, CA 94070			



NOTES:

1. THIS STYLE OF LETTERS TO BE USED ON ALL RIGHT OF WAY SIGNS. PROPORTIONING OF LETTERS MAY BE MODIFIED TO SUIT AVAILABLE SPACE ON THE SIGN.
2. LENGTH OF NET VALUE LINES ARE BASED ON THE AMOUNT OF SPACE SURROUNDING LETTERS. FOR BALANCED APPEARANCE, THE DISTANCE BETWEEN THESE LINES IN ANY WORD SHOULD BE CONSTANT.

PENINSULA CORRIDOR JOINT POWERS BOARD

STANDARD DRAWINGS

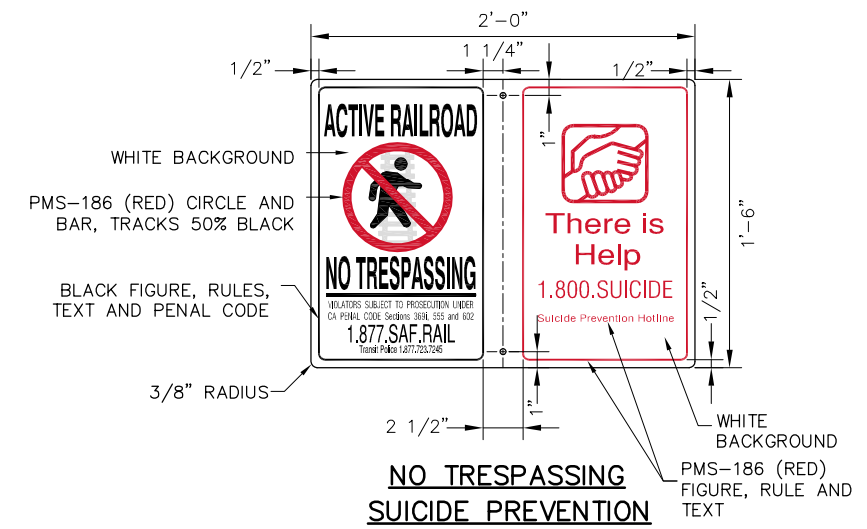
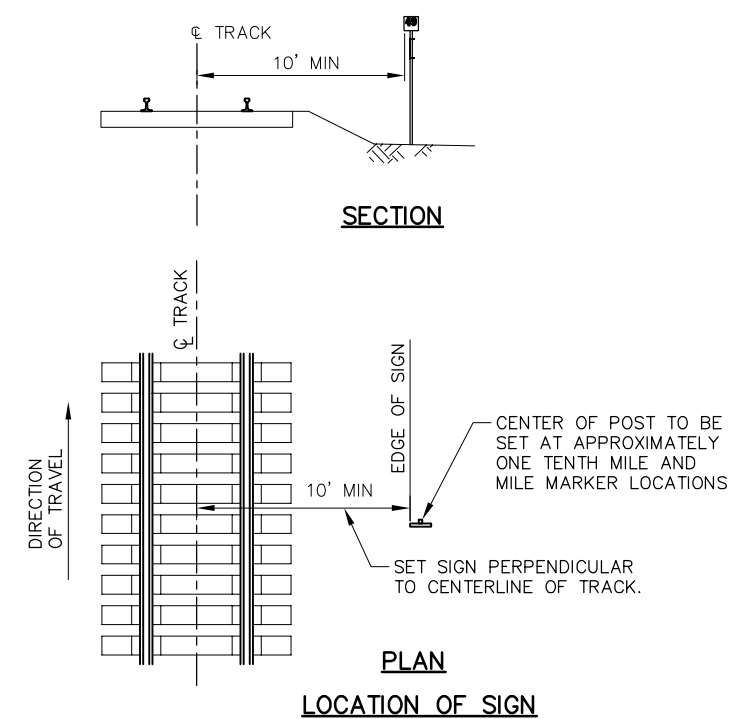
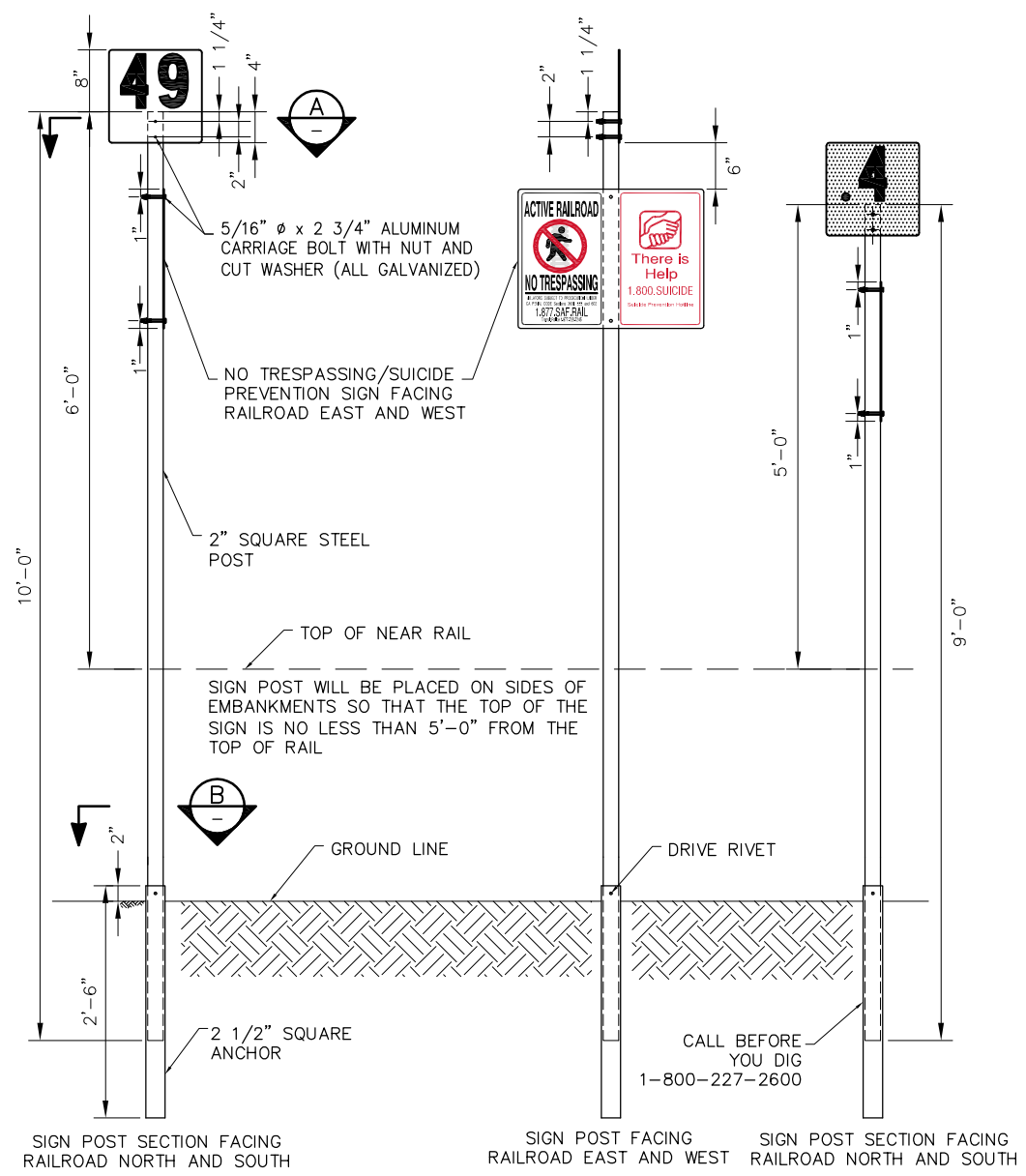
APPROVED BY:
Bernad Anzures *Steph Chen*
 DISCIPLINE MANAGER DEPUTY DIRECTOR OF ENGINEERING



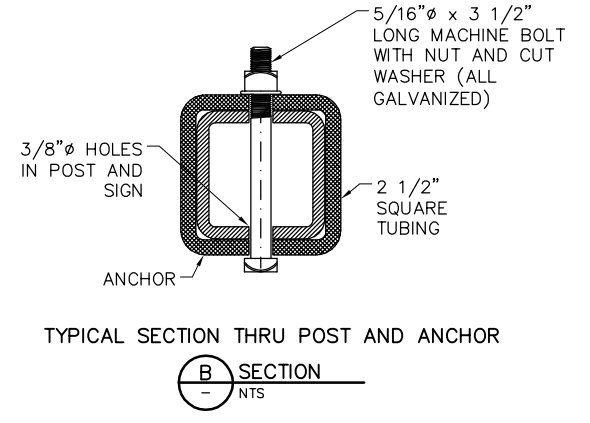
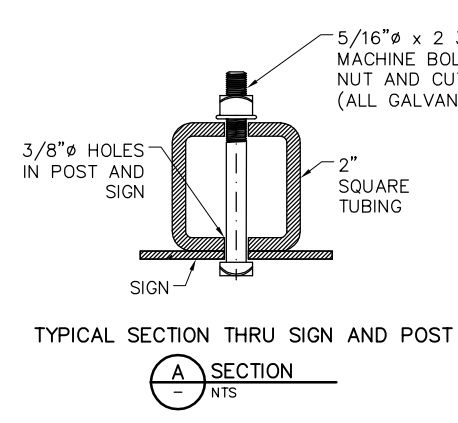
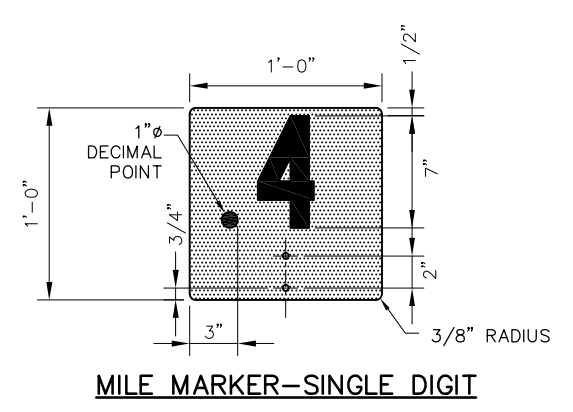
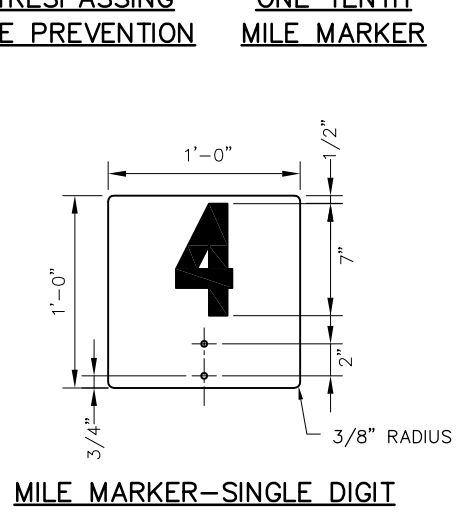
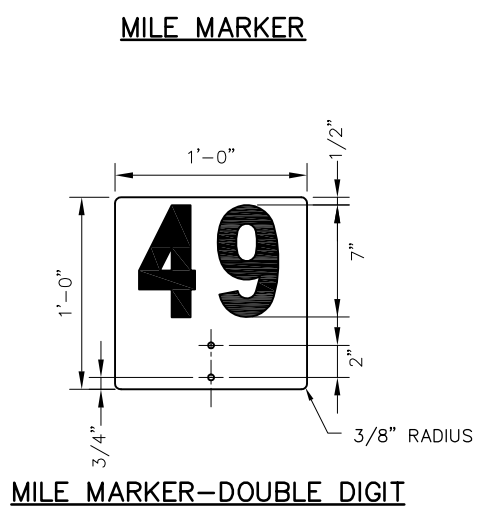
RIGHT-OF-WAY
SIGNAGE
LETTERING FOR SIGNS

CADD FILE NO.: SD-9101	
REV 0	DATE 041507
RIGHT-OF-WAY	
STANDARD NO.: SD-9101	

REV	DATE	BY	CHK	APP	DESCRIPTION



- NOTES:**
- ACTUAL LOCATION MAY BE ADJUSTED SLIGHTLY TO AVOID OBSTRUCTIONS. SIGNS MUST BE READILY VISIBLE FROM LOCOMOTIVES IN BOTH DIRECTIONS.
 - SIGNS SHALL BE 1/8" THICK MILL FINISH ALUMINUM PANEL, ALCOA 6016-T6 OR EQUAL. PAINT ALL SIDES WITH LINEAR POLYURATHANE. COLOR FACE OF PANEL WITH ENGINEERING GRADE, PRESSURE SENSITIVE, RETRO-REFLECTIVE WHITE VINYL SHEETING. SILK SCREEN LEGEND WITH BLACK INK. FINISH WITH EXTERIOR GRADE PRESSURE SENSITIVE CLEAR MYLAR, 3M-1150 OR EQUAL.
 - STEEL POSTS SHALL BE 12 GAUGE (.105 THICK) 2.42 LBS. PER LINEAL FOOT 2" SQUARE STEEL POST (ASTM A-36) WITH 3/8" DIA. KNOCKOUT HOLES. ALL GALVANIZED IN ACCORDANCE WITH ASTM A-386.
 - ANCHORS SHALL BE 12 GAUGE (.105 THICK) 2.42 LBS. PER LINEAL FOOT 2 1/2" SQUARE STEEL POST (ASTM A-36) WITH 3/8" DIA. KNOCKOUT HOLES. ALL GALVANIZED IN ACCORDANCE WITH ASTM A-386.
 - TEXT STYLE SHALL BE "ARIAL BOLD", SIZE AS INDICATED.
 - ALL HARDWARE TO BE VANDAL RESISTANT.
 - BOLTS: 5/16" X 2 3/4" LONG ALUMINUM CARRIAGE BOLTS, 2024-T4 ALLOY. (FOR SIGN)
 - BOLTS: 5/16" X 3 1/2" LONG ALUMINUM CARRIAGE BOLTS, 2024-T4 ALLOY. (FOR ANCHOR)
 - NUTS: TAMPER RESISTANT, ALCOA OR EQUAL.
 - WASHERS: PLAIN, FLAT ALUMINUM WASHERS.
 - MILE POST MARKER SHALL BE PLACED ON THE RIGHT SIDE OF TRACK GOING FROM SAN FRANCISCO MT-2 AND TAMMEN MT-1. MARKER MUST BE LOCATED WHERE IT CAN BE READILY SEEN FROM THE TRACK.
 - POST MARKER SHALL BE PLACED 13'-0" FROM CENTERLINE OF TRACK. TOP OF SIGN WILL BE PLACED 5'-8" ABOVE TOP OF NEAR RAIL. IN CUTS POST MAY BE EXTENDED USING AN ADDITIONAL POST. FOR NEW INSTALLATIONS SIGNS SHALL BE PLACED ON BOTH SIDES OF POST, FOR BI-DIRECTIONAL MOVEMENT.
 - MARKERS TO BE MANUFACTURED FROM 14 GAUGE SHEET ALUMINUM MILL FINISH SIMILAR TO ALCOA 6061-T6. MOUNT WITH TWO SETS CONSISTING OF (2) 5/16" x 2 1/4" CARRIAGE BOLTS, LOCK WASHERS AND STIFFENER PLATE. BOLT HOLES TO BE PUNCHED AFTER MARKER DECAL APPLIED.
 - BOTH FACES OF MILEPOST MARKER WILL BE COATED WITH WIDE ANGLE SCOTCHLITE REFLECTIVE SHEETING WITH BLACK SCREENED NUMBER.
 - POST SHALL BE HOT DIPPED GALVANIZED STEEL (ASTM 526-690) "U" CHANNEL. POST FURNISHED WITH 3/8" HOLES ON 1" CENTERS FOR THE ENTIRE LENGTH OF THE POST AND A POINTED END. DIMENSIONS 1 7/16", WIDTH 3 1/16", THICKNESS 11 GAUGE. STANDARD LENGTH IS 10'-0". LONGER LENGTHS AVAILABLE.



REV	DATE	BY	CHK	APP	DESCRIPTION

PENINSULA CORRIDOR JOINT POWERS BOARD

APPROVED BY:

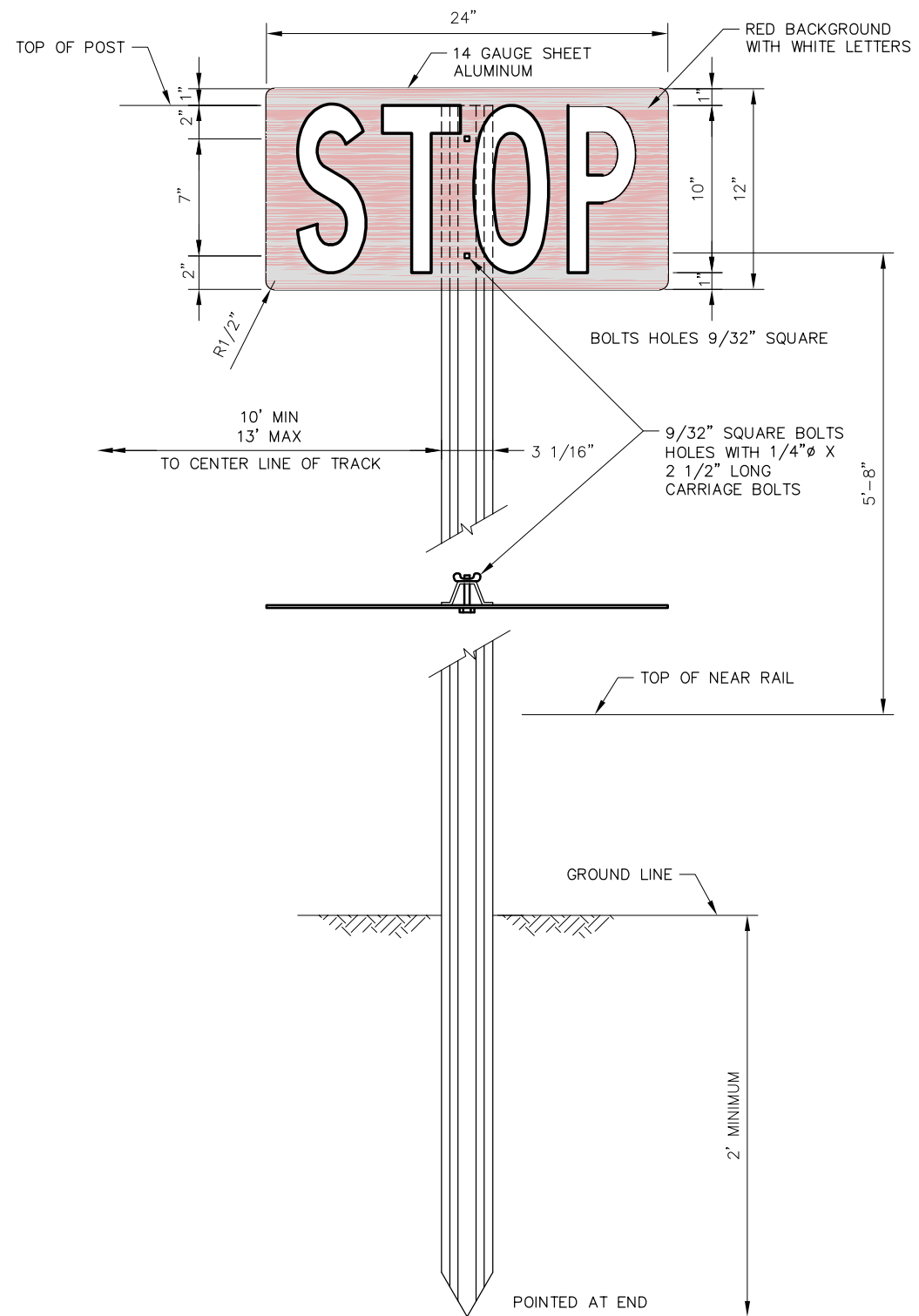



DISCIPLINE MANAGER DEPUTY DIRECTOR OF ENGINEERING



1250 San Carlos Avenue
San Carlos, CA 94070

STANDARD DRAWINGS		CADD FILE NO.:
RIGHT-OF-WAY SIGNAGE		SD-9103
ONE TENTH MILE AND MILE POST MARKERS		REV 0 DATE 041507
STANDARD NO.:		RIGHT-OF-WAY
SD-9103		



NOTES:

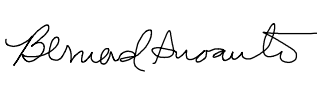

1. TOP OF FLAGS MUST NOT BE LESS THAN 5 FEET ABOVE TOP OF RAIL. DISTANCE FROM CENTERLINE OF TRACK TO FLAG MUST NOT BE LESS THAN 10 FEET NOR MORE THAN 13 FEET.
2. FLAGS TO BE MANUFACTURED FROM 14 GAUGE SHEET ALUMINUM MILL FINISH SIMILAR TO ALCOA 6061-T6. MOUNT WITH 3 3/8" X 2" HEXAGON BOLTS WITH WASHER AND WING NUT.
3. FACE OF SIGNS WILL BE COATED WITH WIDE ANGLE SILVER-WHITE REFLECTIVE SHEETING.
4. POST SHALL BE HOT DIPPED GALVANIZED STEEL (ASTM 526-690) "U" CHANNEL. POSTS FURNISHED WITH 3/8" HOLES ON 1" CENTERS FOR THE ENTIRE LENGTH OF THE POST AND A POINTED END. DIMENSIONS - DEPTH 1 7/16", WIDTH 3 1/16", THICKNESS 11 GAUGE. WEIGHT 2 POUNDS PER FOOT. STANDARD LENGTH IS 10'-0", LONGER LENGTHS AVAILABLE.

STOP SIGN


REV	DATE	BY	CHK	APP	DESCRIPTION

PENINSULA CORRIDOR JOINT POWERS BOARD

APPROVED BY:

DISCIPLINE MANAGER DEPUTY DIRECTOR OF ENGINEERING



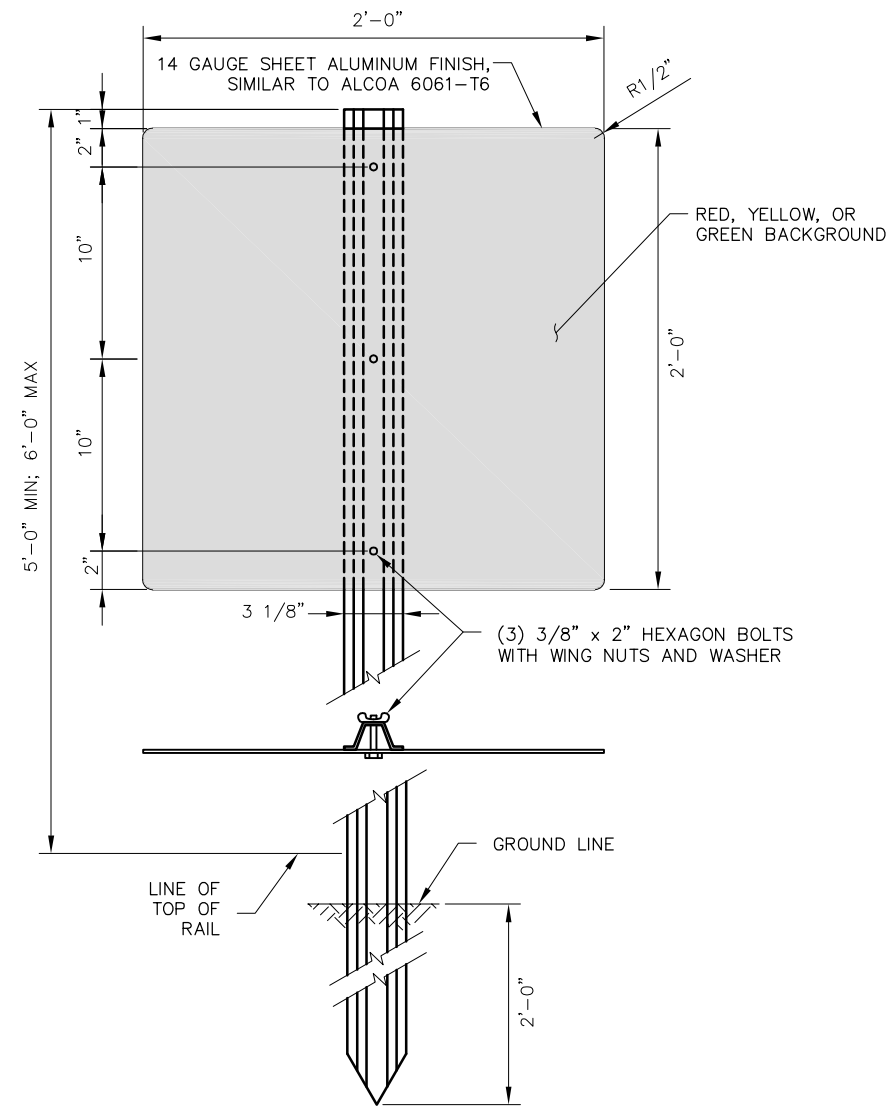
1250 San Carlos Avenue
 San Carlos, CA 94070

STANDARD DRAWINGS

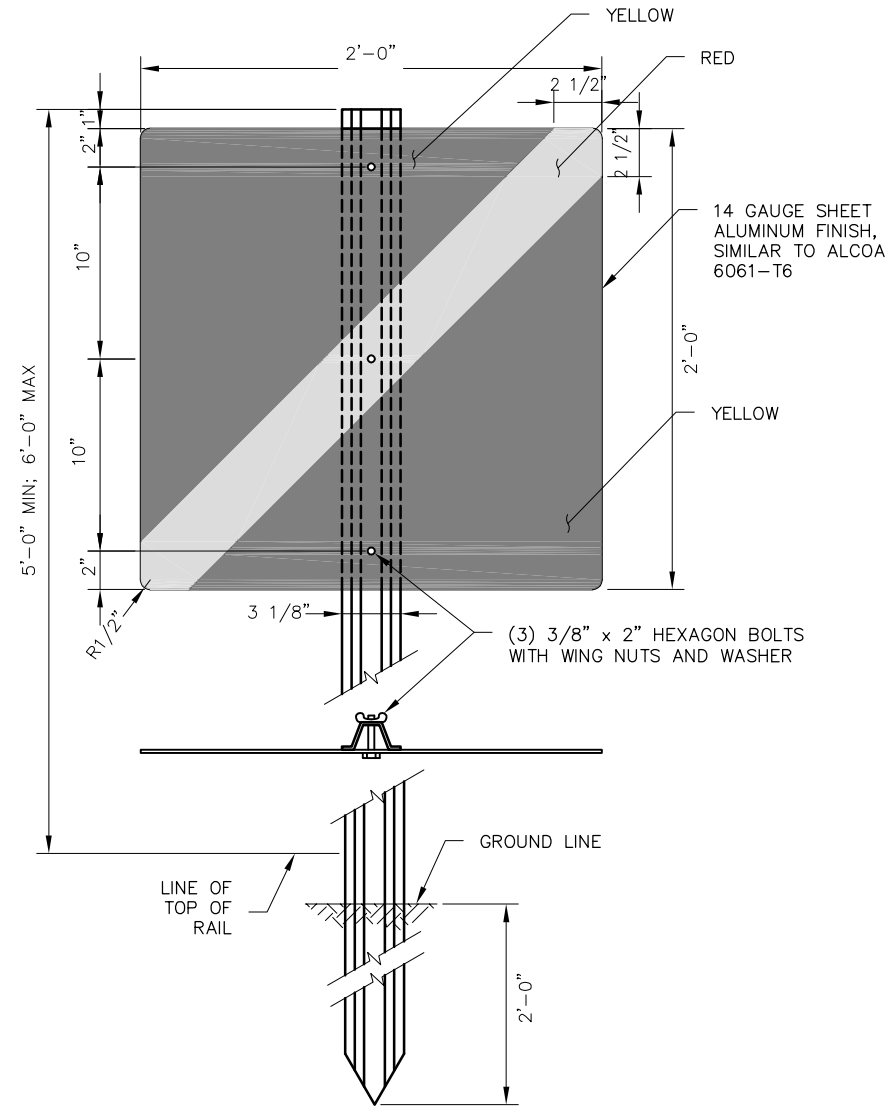
RIGHT-OF-WAY
SIGNAGE

STOP SIGN

CADD FILE NO.:		SD-9104
REV	DATE	
0	041507	
RIGHT-OF-WAY		
STANDARD NO.:		SD-9104



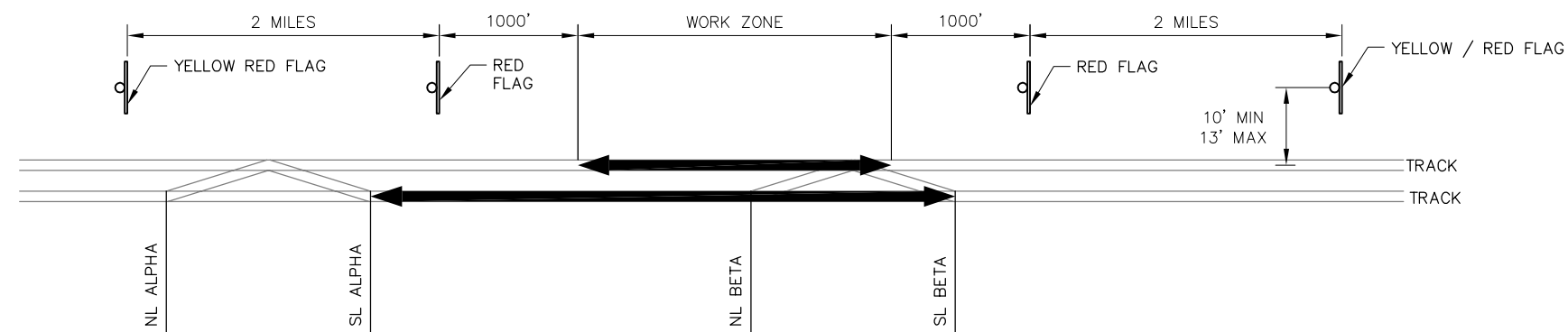
SOLID COLORED (RED, YELLOW, OR GREEN) FLAGS



YELLOW / RED FLAG

NOTES:

1. RED FLAGS SHALL BE DISPLAYED WHERE TRAINS MUST BE STOPPED IN ACCORDANCE WITH GENERAL CODE 5.4.7. FLAGS SHALL BE DISPLAYED TO THE RIGHT OF THE TRACK AS VIEWED FROM AN APPROACHING TRAIN OR BETWEEN THE RAILS.
2. YELLOW / RED FLAGS SHALL BE DISPLAYED 2 MILES BEFORE THE RESTRICTED AREA IN ACCORDANCE WITH GENERAL CODE 5.4.3. FLAGS SHALL BE DISPLAYED TO THE RIGHT OF THE TRACK AS VIEWED FROM AN APPROACHING TRAIN.
3. YELLOW FLAGS SHALL BE DISPLAYED 2 MILES BEFORE THE RESTRICTED AREA IN ACCORDANCE WITH GENERAL CODE 5.4.3. FLAGS SHALL BE DISPLAYED TO THE RIGHT OF THE TRACK AS VIEWED FROM AN APPROACHING TRAIN.
4. GREEN FLAGS SHALL BE DISPLAYED AT THE END OF THE LAST SPEED RESTRICTION IN ACCORDANCE WITH GENERAL CODE 5.4.5. FLAGS SHALL BE DISPLAYED TO THE RIGHT OF THE TRACK AS VIEWED FROM AN APPROACHING TRAIN.
5. TOP OF FLAGS MUST NOT BE LESS THAN 5 FEET ABOVE TOP OF RAIL. DISTANCE FROM CENTERLINE OF TRACK TO FLAG MUST NOT BE LESS THAN 10 FEET NOR MORE THAN 13 FEET.
6. FLAGS TO BE MANUFACTURED FROM 14 GAUGE SHEET ALUMINUM MILL FINISH SIMILAR TO ALCOA 6061-T6. MOUNT WITH 3 3/8" X 2" HEXAGON BOLTS WITH WASHER AND WING NUT.
7. FACE OF FLAGS WILL BE COATED WITH WIDE ANGLE SCOTHLITE REFLECTIVE SHEETING.
8. POST SHALL BE HOT DIPPED GALVANIZED STEEL (ASTM 526-690) "U" CHANNEL. POSTS FURNISHED WITH 3/8" HOLES ON 1" CENTERS FOR THE ENTIRE LENGTH OF THE POST AND A POINTED END. DIMENSIONS - DEPTH 1 7/16", WIDTH 3 1/16", THICKNESS 11 GAUGE. WEIGHT 2 POUNDS PER FOOT. STANDARD LENGTH IS 10'-0", LONGER LENGTHS AVAILABLE.





FORM B SIGN PLACEMENT & TRACK AND TIME LIMITS


REV	DATE	BY	CHK	APP	DESCRIPTION

PENINSULA CORRIDOR JOINT POWERS BOARD

APPROVED BY:

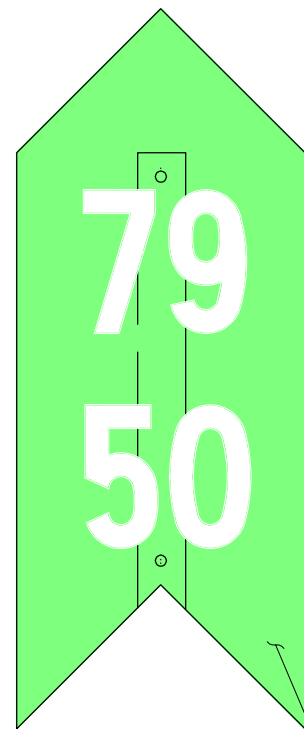



DISCIPLINE MANAGER DEPUTY DIRECTOR OF ENGINEERING



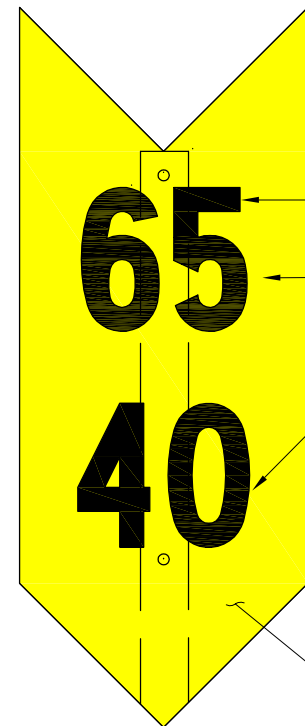
1250 San Carlos Avenue
 San Carlos, CA 94070

STANDARD DRAWINGS		CADD FILE NO.:
RIGHT-OF-WAY SIGNAGE		SD-9105
REV	DATE	
0	041507	
TEMPORARY TRACK CONDITIONS SIGNS		
STANDARD NO.:		SD-9105



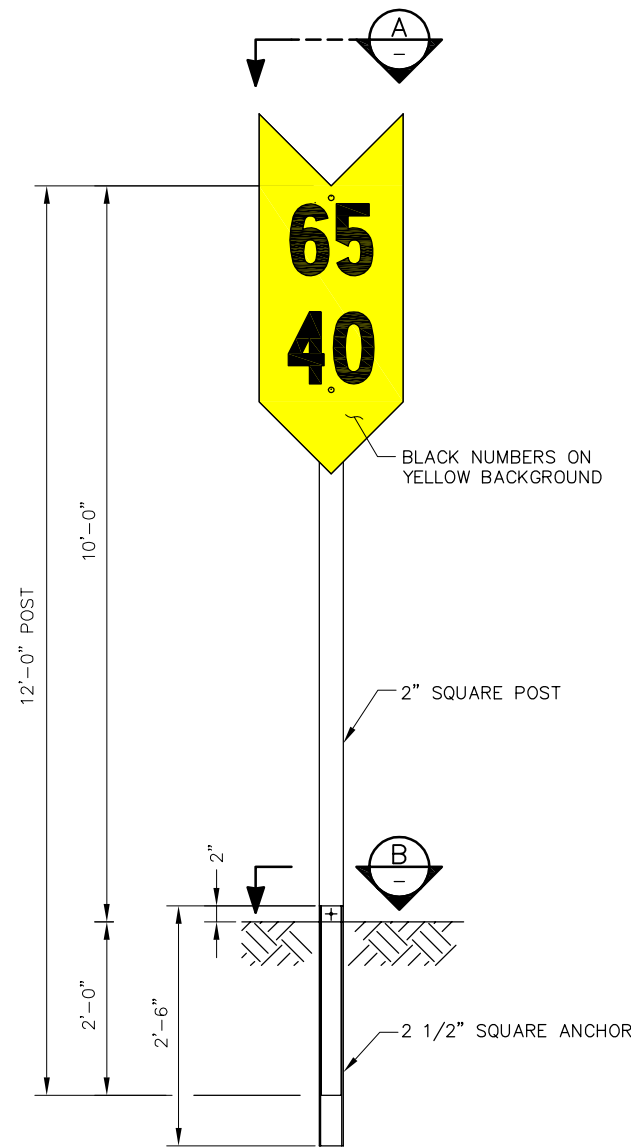
WHITE NUMBERS ON GREEN BACKGROUND

INCREASE SPEED SIGN



LETTERING PER SD-9101
PASSENGER SPEED
FREIGHT SPEED
BLACK NUMBERS ON YELLOW BACKGROUND

DECREASE SPEED SIGN

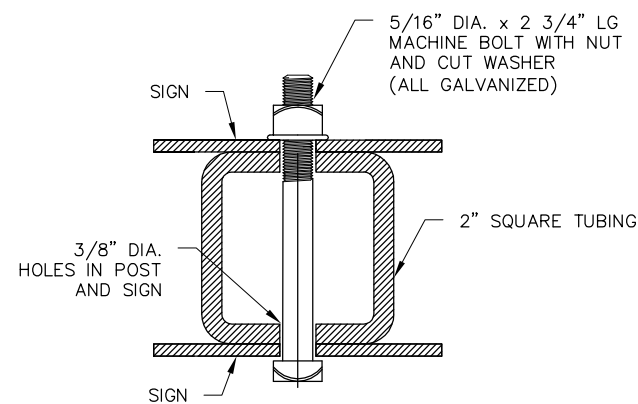


STEEL MOUNTING POST AND INSTALLATION DETAIL

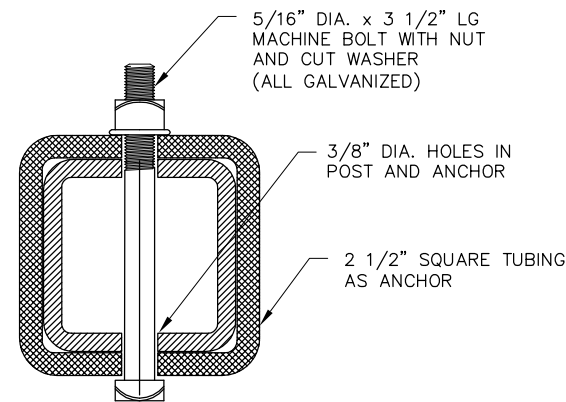
BILL OF MATERIAL	
NUMBER REQUIRED	ITEM
SPEED SIGN - COMPLETE	
2	PERMANENT SPEED SIGNS
1	2" x 2" x 11'-6" LONG SQUARE POST FOR SPEED SIGN
1	2 1/2" x 2 1/2" x 30" LONG SQUARE ANCHOR FOR SIGN POST
2	CARRIAGE BOLTS WITH NUTS AND WASHERS (GALVANIZED) PER SPECIFICATIONS BELOW

NOTES:

- ALL SIGNS TO BE PLACED ON RIGHT SIDE OF TRACK IN THE DIRECTION OF APPROACH TO SPEED CHANGE WITH THE NEAREST POINT OF SIGN TO BE AT MINIMUM OF TEN (10) FEET FROM THE GAGE SIDE OF THE NEAREST RAIL. SIGNS WILL BE PLACED ON OUTSIDE OF EACH TRACK. SIGNS WILL BE PLACED ON BOTH SIDES OF THE POST FOR BI-DIRECTIONAL OPERATIONS.
- REDUCED SPEED SIGNS WILL BE LOCATED 2640 FEET (1/2 MILE) IN ADVANCE OF THE RESTRICTED TERRITORY AND WILL INDICATE THE MAXIMUM SPEED PERMITTED AS SHOWN IN THE CURRENT TIME TABLE. PASSENGER SPEEDS ARE SHOWN AT THE TOP AND FREIGHT AT THE BOTTOM.
- INCREASE SPEED SIGNS WILL BE PLACED TO INDICATE WHERE SPEED OF TRAIN MAY BE INCREASED. THIS SIGN SHALL NOT BE PLACED WHERE THERE IS LESS THAN 1/2 MILE BETWEEN THE END OF ONE SPEED RESTRICTION AND THE BEGINNING OF ANOTHER SPEED RESTRICTION.



THROUGH SIGN AND POST





THROUGH POST AND ANCHOR




REV	DATE	BY	CHK	APP	DESCRIPTION	REV	DATE	BY	CHK	APP	DESCRIPTION

PENINSULA CORRIDOR JOINT POWERS BOARD

APPROVED BY:

DISCIPLINE MANAGER DEPUTY DIRECTOR OF ENGINEERING



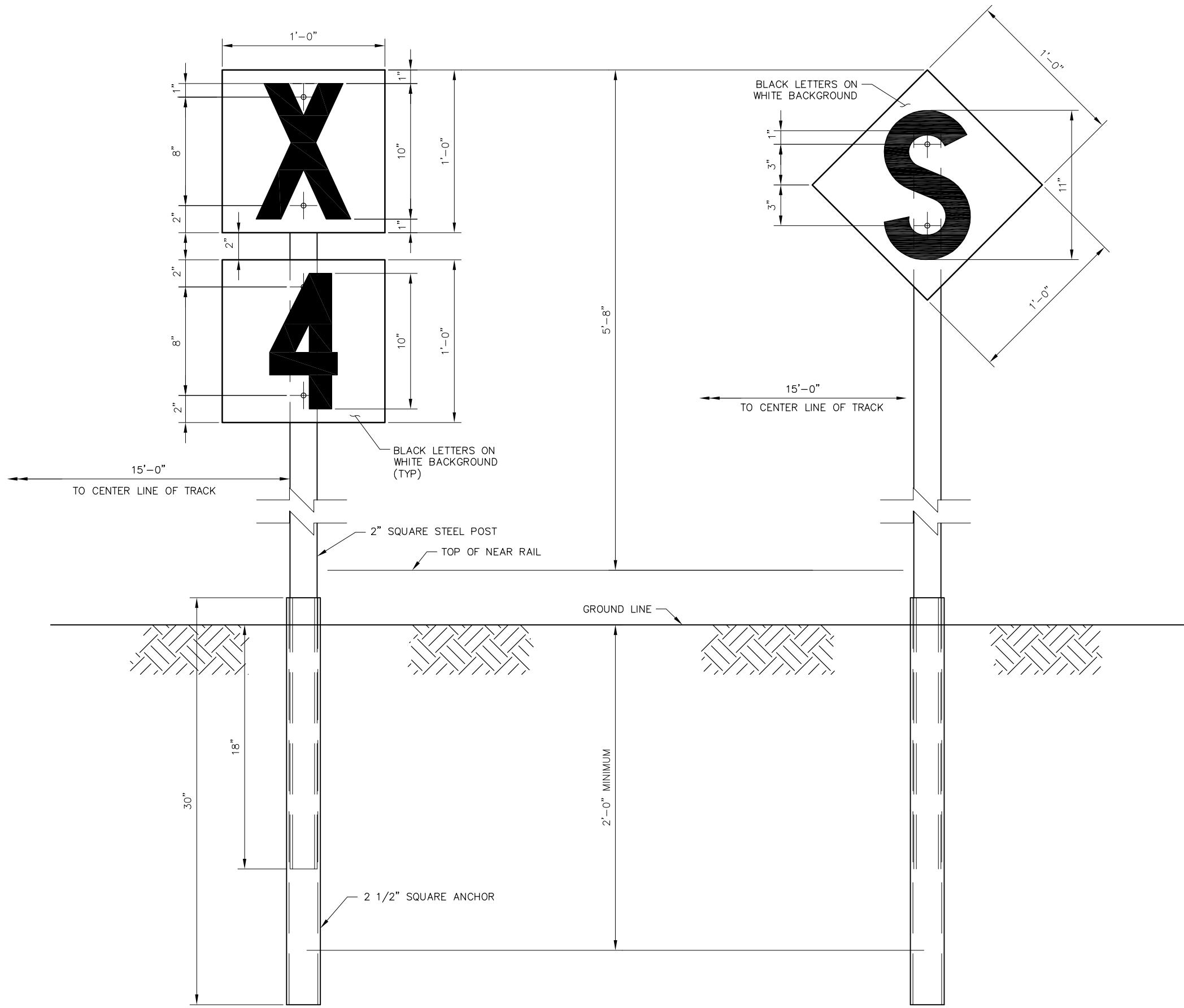
1250 San Carlos Avenue
San Carlos, CA 94070

STANDARD DRAWINGS

RIGHT-OF-WAY SIGNAGE

PERMANENT SPEED SIGN

CADD FILE NO.: SD-9106	
REV 0	DATE 041507
RIGHT-OF-WAY	
STANDARD NO.: SD-9106	



NOTES:

1. SIGN TO BE LOCATED TO THE RIGHT OF THE TRACK AS VIEWED FROM AN APPROACHING TRAIN.
2. SIGN POST WILL BE LOCATED PREFERABLY 15 FEET FROM THE CENTER LINE OF TRACK BUT NO CLOSER THAN 10 FEET AND NO FARTHER THAN 20 FEET. POSTS WILL BE PLACED TO THE EAST OF MAIN TRACKS 1 OR 3 AND WEST OF MAIN TRACKS 2 OR 4. TOP OF SIGN WILL BE PLACED 5'-8" ABOVE THE TOP OF NEAR RAIL. IN CUTS POSTS MAY BE EXTENDED USING A LONGER POST.
3. WHISTLING BOARD TO BE PLACED AS NEARLY AS PRACTICABLE ONE QUARTER MILE (1320') DISTANT FROM CROSSING OR OTHER OBSTRUCTION. WHERE THERE ARE MULTIPLE PUBLIC CROSSINGS NOT MORE THAN ONE QUARTER MILE (1320') APART, SIGN BEARING LETTER "X" LOCATED ONE QUARTER MILE (1320') IN ADVANCE OF FIRST CROSSING WILL DISPLAY A FIGURE WHICH REPRESENTS THE NUMBER OF CROSSINGS INVOLVED.
4. STATION ONE MILE SIGN SHALL BE PLACED ONE MILE (5280') IN ADVANCE OF A PASSENGER STATION.
5. SIGNS SHALL BE METALLIC IN CONSTRUCTION; HAVE A BAKED POWER-COATED FINISH, SILK-SCREENED AND SEALED NUMERALS/LETTERS, REFLECTIVE PAINT SURFACES, SOME FORM OF UV PROTECTION, AND AN ANTI-GRAFFITI COATING. SUBMIT A FULL DESCRIPTION OF MATERIALS, COATING/FINISHES AND PROCESSES UTILIZED IN THE MANUFACTURE OF THE PROPOSED SIGN MUST BE PROVIDED WITH THE VENDOR'S QUOTATION.
6. ALL SIGNS 1/8" THICK MILL FINISH ALUMINUM PANEL, ALCOA 6016-T6 OR EQUAL. PAINT FACE WITH LINEAR POLYURETHANE. SILK SCREEN NUMBERS WITH BLACK INK. FINISH WITH EXTERIOR GRADE ANTI-GRAFFITI PRESSURE SENSITIVE CLEAR MYLAR, 3M-1150 OR EQUAL.
7. TEXT AND NUMBERS WILL BE PER SD-9101.
8. HARDWARE:
ALL HARDWARE WILL BE VANDAL RESISTANT.
 - BOLTS: 5/16" X 2 3/4" LONG ALUMINUM CARRIAGE BOLTS, 2024-T4 ALLOY.
 - NUTS: TAMPER RESISTANT, ALCOA OR EQUAL.
 - WASHERS: FLAT ALUMINUM.
 - POST: POST SHALL BE HOT DIPPED GALVANIZED STEEL (ASTM 526-690) "U" CHANNEL POST FURNISHED WITH 3/8" HOLES ON 1" CENTERS FOR THE ENTIRE LENGTH OF THE POST.

REV	DATE	BY	CHK	APP	DESCRIPTION

PENINSULA CORRIDOR JOINT POWERS BOARD

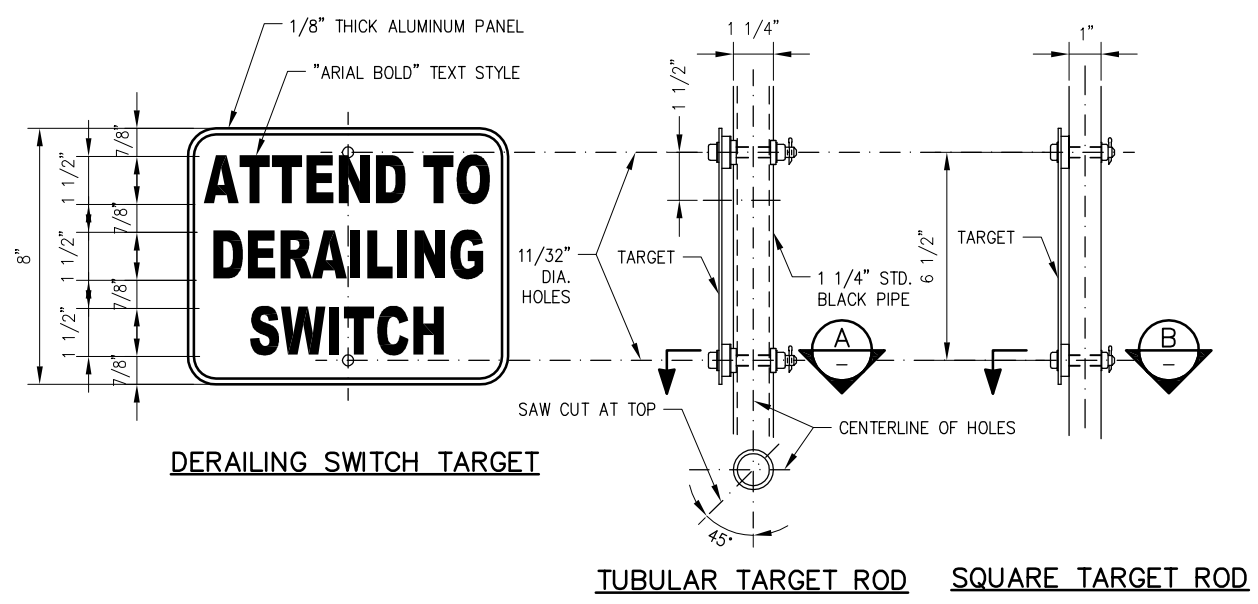
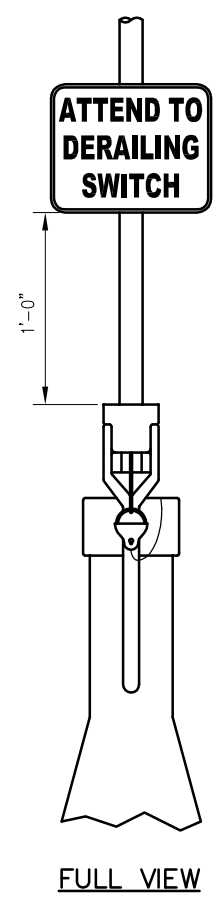
APPROVED BY:

DISCIPLINE MANAGER

DEPUTY DIRECTOR OF ENGINEERING

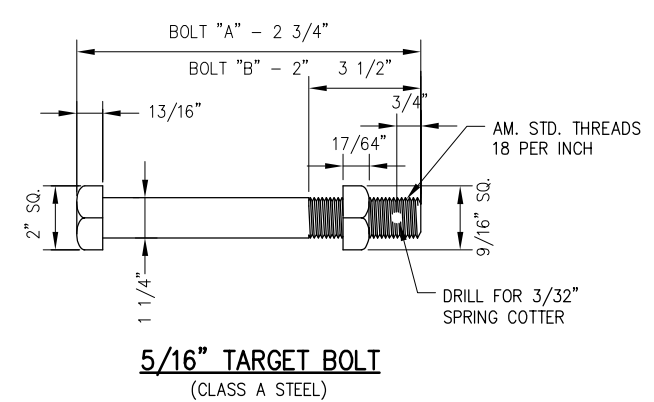
1250 San Carlos Avenue
San Carlos, CA 94070

STANDARD DRAWINGS		GADD FILE NO.:
RIGHT-OF-WAY SIGNAGE WHISTLING BOARD AND STATION ONE MILE SIGN		SD-9107
REV	DATE	
0	041507	
STANDARD NO.:		SD-9107

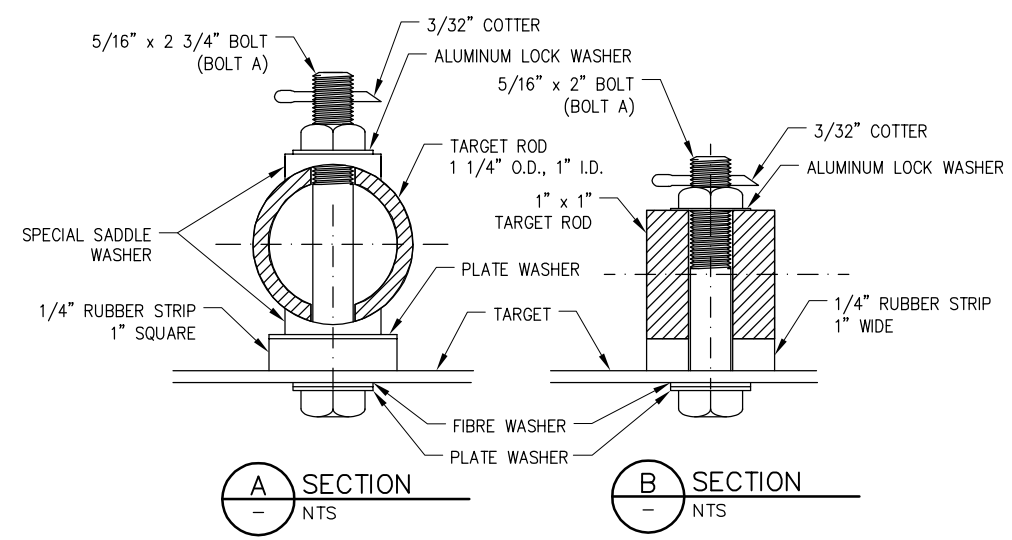


DERAILING SWITCH TARGET

TUBULAR TARGET ROD SQUARE TARGET ROD

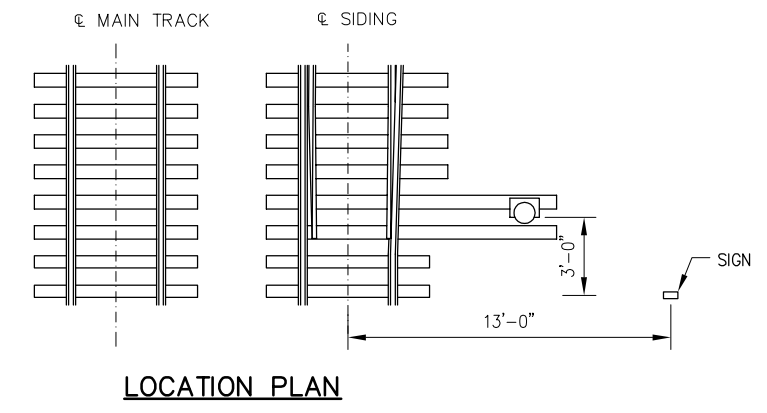


5/16" TARGET BOLT (CLASS A STEEL)

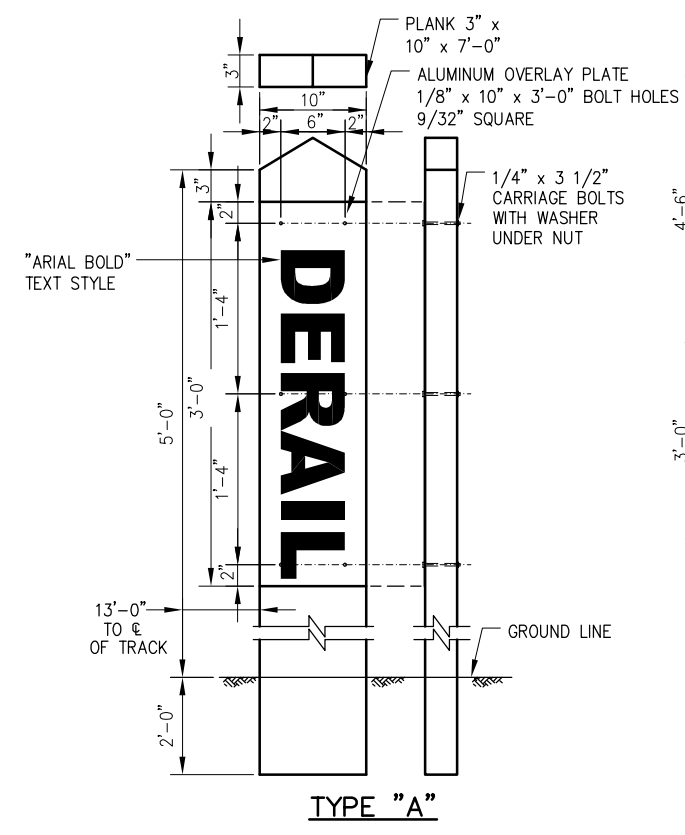


A SECTION NTS

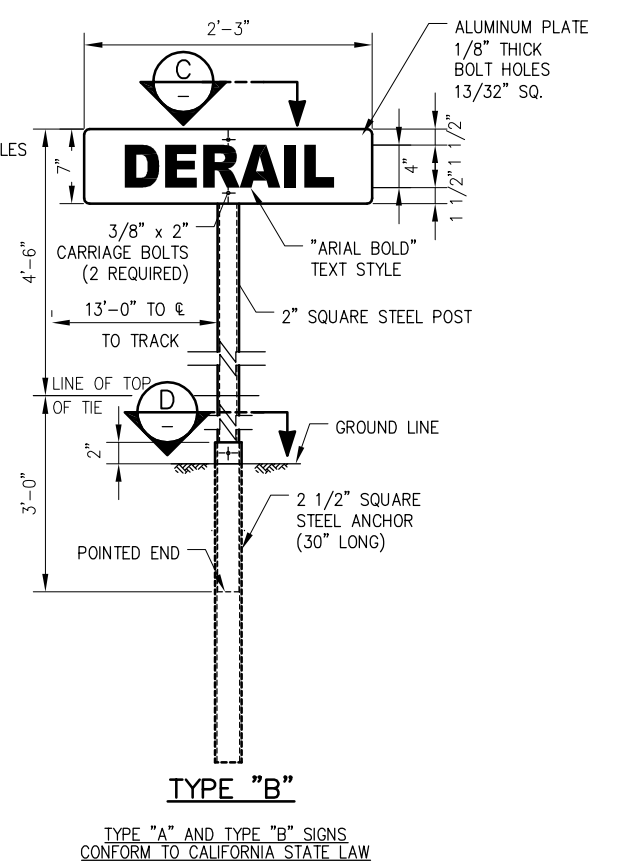
B SECTION NTS



LOCATION PLAN

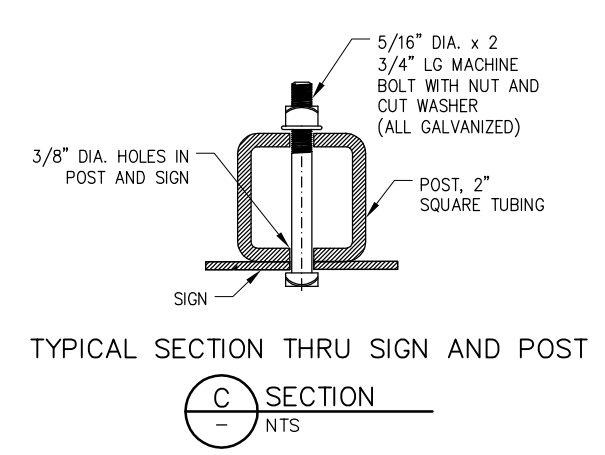


TYPE "A"



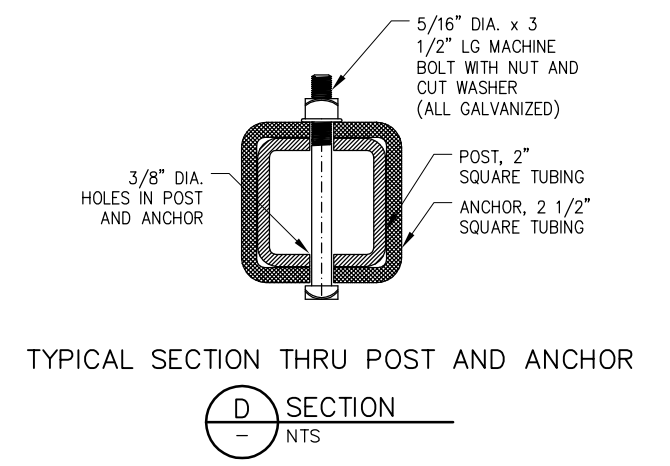
TYPE "B"

TYPE "A" AND TYPE "B" SIGNS CONFORM TO CALIFORNIA STATE LAW



TYPICAL SECTION THRU SIGN AND POST

C SECTION NTS



TYPICAL SECTION THRU POST AND ANCHOR

D SECTION NTS

REV	DATE	BY	CHK	APP	DESCRIPTION	REV	DATE	BY	CHK	APP	DESCRIPTION

PENINSULA CORRIDOR JOINT POWERS BOARD

APPROVED BY:




DISCIPLINE MANAGER DEPUTY DIRECTOR OF ENGINEERING



1250 San Carlos Avenue
San Carlos, CA 94070

STANDARD DRAWINGS

RIGHT-OF-WAY
SIGNAGE
ATTEND TO DERAILING
SWITCH AND DERAIL SIGNS

GADD FILE NO.: SD-9108

REV 0 DATE 041507

RIGHT-OF-WAY

STANDARD NO.: SD-9108